

※NOTES※

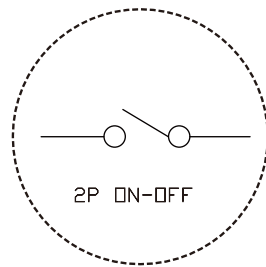
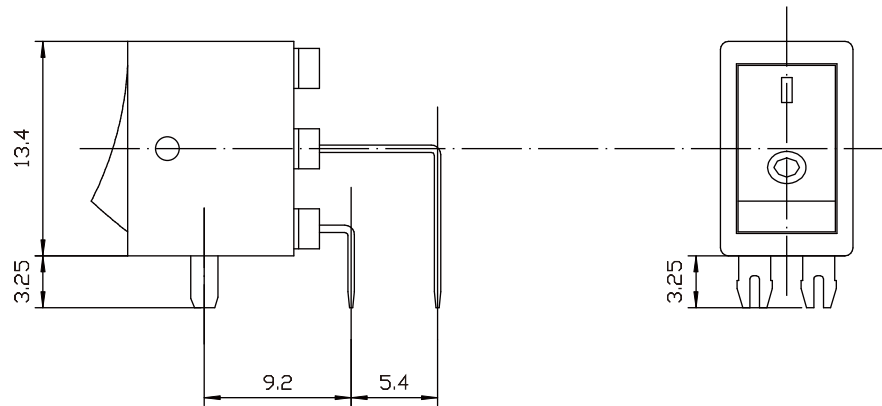
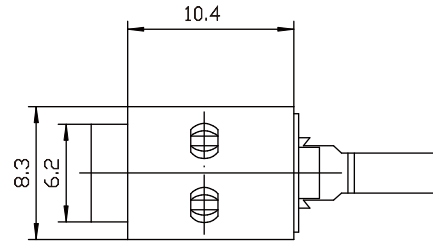
MECHANICAL

- 1 KNOB : THERMOPLASTIC NYLON 6/6, UL94V-0, BLACK
- 2 HOUSING : THERMOPLASTIC NYLON 6/6, UL94V-0, BLACK
- 3 SPRING : SUS
- 4 BALL : BRASS H62
- 5 TERMINALS : BRASS H62

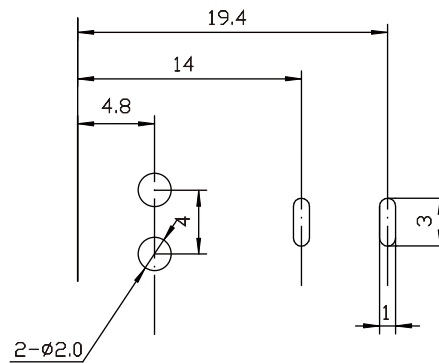
SPECIFICATION

- 1 RATING : DC 30V, 3 AMPHERES
- 2 CONTACT RESISTANCE : 50mΩ MAX.
- 3 DIELECTRIC WITHSTANDING VOLTAGE : AC 1000V 1mA FOR 1 MINUTE
- 4 INSULATION RESISTANCE : 100mΩ MIN.
- 5 FORCE : 750±100gf
- 6 LIFE CYCLE : 10,000 CYCLES MIN.

※※ THIS IS A RoHS COMPLIANT PRODUCT.



SCHEMATIC



RECOMMENDED P.C.B. LAYOUT
THICKNESS=1.6mm, TOLERANCE 0.05mm

QUALITY CONTROL LINE DIMENSIONS SHALL MARKED THE SYMBOL AS ▲ RoHS COMPLIANT HfP COMPLIANT LEAD-FREE	METRIC	WIROS Electronics Int'l CO., Ltd.	
	DRAWER	PING, L	
	APPROVER	SKY, W	
	DIMENSIONS ARE IN MILLIMETERS TOLERANCES		NOTICE OF PROPRIETARY PROPERTY: THIS DRAWING CONTAINS INFORMATION THAT IS PROPRIETARY TO WIROS ELECTRONICS INTERNATIONAL COMPANY LIMITED. AND SHOULD NOT BE USED WITHOUT WIROS'S WRITTEN CONSENT.
X. ----- X.X ±0.30 X.XX ±0.20 X.XXX ±0.10 ANGLES ±3°		TITLE POWER SWITCH	
DO NOT SCALE DRAWINGS		PRODUCT NUMBER TSW70970.V01	
THIRD ANGLE PROJECTION		SCALE NONE	
SIZE	A4	REV.	SHEET 1 OF 1