

※NOTES※

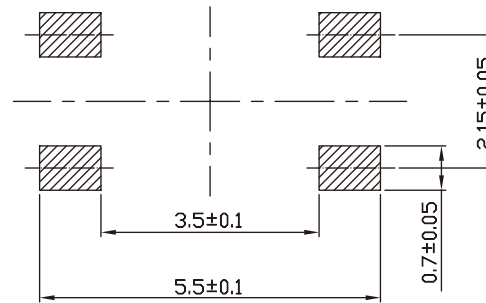
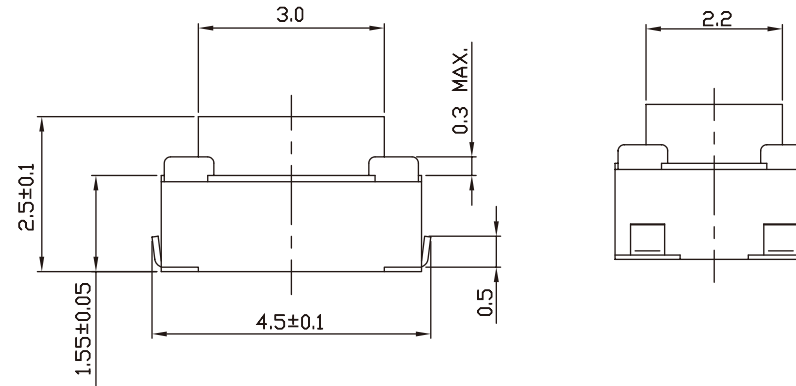
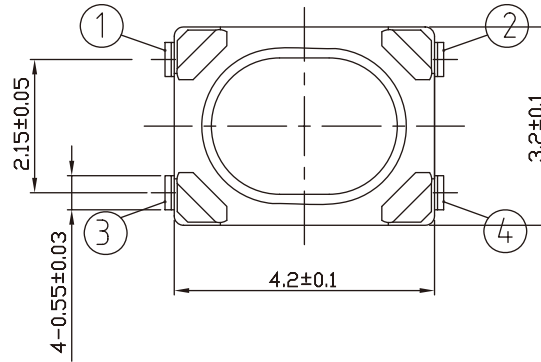
MECHANICAL

- ① HOUSING : THERMOPLASTIC L.C.P., COLOR WHITE
- ② BUTTON : PPA, COLOR WHITE
- ③ CONTACT SPRING : SUS, SILVER PLATED
- ④ SOLDER TAIL : PHOSPHOR BRONZE, SILVER PLATED

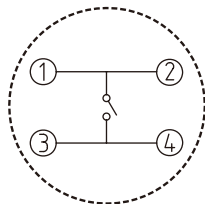
SPECIFICATION

- ① RATING : DC 16V, 50mA
- ② CONTACT RESISTANCE : 500mΩ MAX.
- ③ INSULATION RESISTANCE : 100MΩ MIN.
- ④ OPERATING FORCE : 200±50gf
- ⑤ OPERATING LIFE : 100,000 CYCLES
- ⑥ OPERATING TEMPERATURE : -40°C TO +85°C

※※ SOLDERING PROCESS MUST FOLLOWING :  
INFRARED REFLOW SOLDERING IN ACCORDANCE WITH  
IEC61760-1.



RECOMMENDED P.C.B. LAYOUT  
(TOP VIEW)



SCHEMATIC

QUALITY CONTROL LINE DIMENSIONS SHALL MARKED THE SYMBOL AS ▲	<b>METRIC</b>		WIROS Electronics Int'l CO., Ltd.	
	DRAWER		NOTICE OF PROPRIETARY PROPERTY: THIS DRAWING CONTAINS INFORMATION THAT IS PROPRIETARY TO WIROS ELECTRONICS INTERNATIONAL COMPANY LIMITED. AND SHOULD NOT BE USED WITHOUT WIROS'S WRITTEN CONSENT.	
	APPROVER			
	DIMENSIONS ARE IN MILLIMETERS TOLERANCES		TITLE	
<input checked="" type="checkbox"/> RoHS <input type="checkbox"/> COMPLIANT	X. ----- X.X ±0.35 X.XX ±0.25 X.XXX ±0.15 ANGLES ±3°	TOP ACTUATED TACTILE SWITCH 4.2×3.2×2.5mm 4 PINS SMD		
<input checked="" type="checkbox"/> HIF <input type="checkbox"/> HYPERMAGNETIC	DO NOT SCALE DRAWINGS		PRODUCT NUMBER	
<input checked="" type="checkbox"/> P/B LEAD FREE			SWATM-12SR004M7	
SIZE	REV.	SCALE	SHEET 1 OF 1	
A4		NONE		