

※NOTES※

MECHANICAL

- ① HOUSING : THERMOPLASTIC-NYLON 6/T, BLACK
- ② BUTTON : THERMOPLASTIC-NYLON 6/T
- ③ COAT : SUS WITH GOLD PLATED
- ④ CONTACT FOOT : BRASS WITH GOLD PLATED, T=0.3mm
- ⑤ CONTACT : PBS WITH GOLD CLAD

SPECIFICATION

- ① RATING : 2~50mA, 3~24VDC
- ② CONTACT RESISTANCE : 100mΩ MAX.
- ③ INSULATION RESISTANCE : 100MΩ AT 100VDC
- ④ DIELECTRIC WITHSTAND VOLTAGE : 250VAC, 50/60Hz 1 MINUTE
- ⑤ OPERATING TEMPERATURE : -25°C ~ +70°C
- ⑥ LIFE EXPECTANCY : 100,000 CYCLES

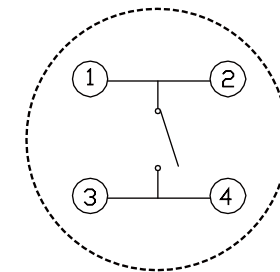
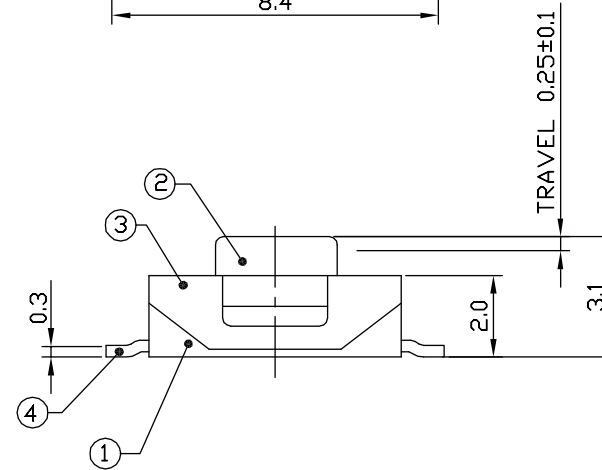
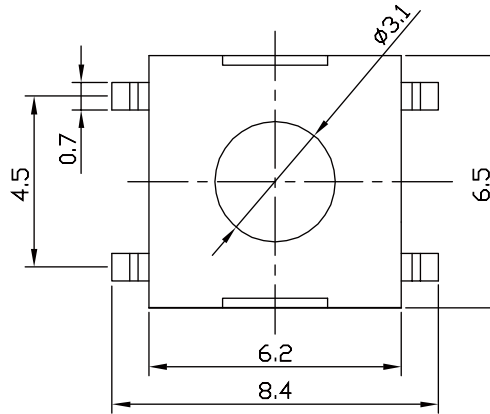
ORDER INFORMATION

SWATC-3 × 0 × 004V7

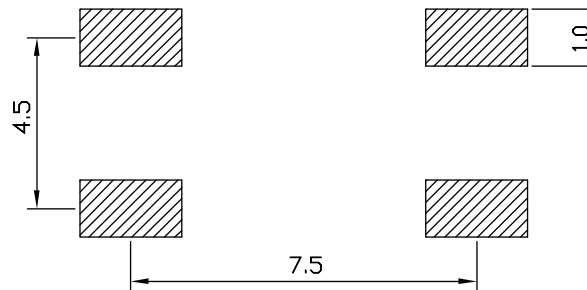
PACKING METHOD
P~MOISTURE P.E. BAG
R~EMBOSS AND REEL

BUTTON COLOR

- 1~BLACK
- 2~IVORY
- A~BLUE
- B~BROWN



SCHEMATIC



RECOMMENDED CIRCUIT BOARD LAYOUT
(TOP VIEW)

QUALITY CONTROL LINE DIMENSIONS SHALL MARKED THE SYMBOL AS	METRIC		WIROS Electronics Int'l CO., Ltd.	
	DRAWER TAIYU		NOTICE OF PROPRIETARY PROPERTY: THIS DRAWING CONTAINS INFORMATION THAT IS PROPRIETARY TO WIROS ELECTRONICS INTERNATIONAL COMPANY LIMITED. AND SHOULD NOT BE USED WITHOUT WIROS'S WRITTEN CONSENT.	
	APPROVER CHRISTINE, WU			
	DIMENSIONS ARE IN MILLIMETERS TOLERANCES 0~5 ±0.10 5+ ±0.20 ANGLES ±1°		TITLE MICRO TACT 6.2×6.5mm SMT TYPE SWITCH	
DO NOT SCALE DRAWINGS THIRD ANGLE PROJECTION		PRODUCT NUMBER SWATC-3x0P004V7		
RoHS COMPLIANT HIF LEAD-FREE	SIZE A4	REV. NONE	SHEET 1 OF 1	