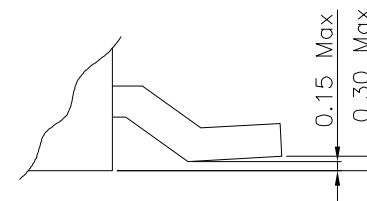
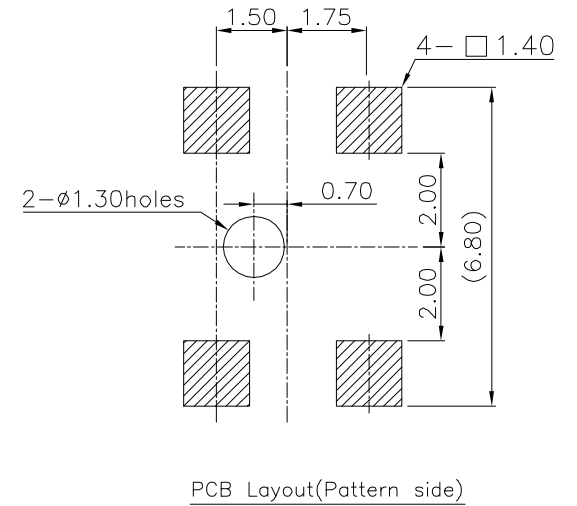
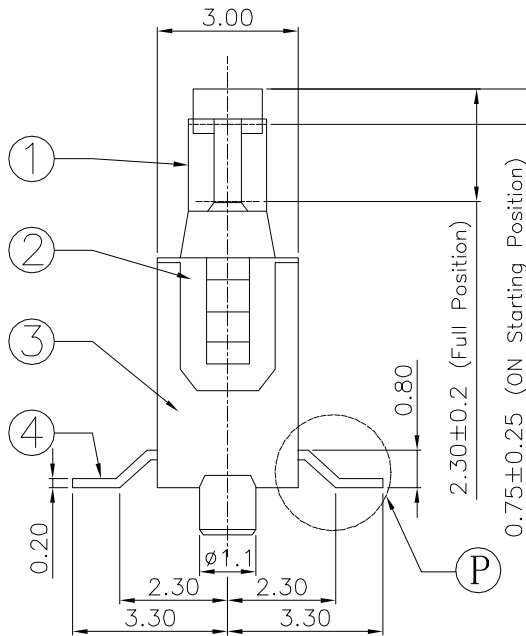
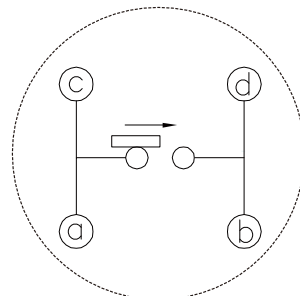


PC Board mounting face



Detail of P (SCALE: 2:1)



Circuit Diagram

※NOTES※

MECHANICAL

- ① KNOB : THERMOPLASTIC-NYLON, BLACK
- ② COVER : THERMOPLASTIC-NYLON, BLACK
- ③ BASE : THERMOPLASTIC-NYLON, BLACK
- ④ TERMINAL : PHOSPHOR BRONZE, GOLD PLATED
- ⑤ CONTACT SPRING : PHOSPHOR BRONZE, GOLD PLATED

SPECIFICATION

- ① RATING : DC 30V, 0.1A
- ② OPERATING FORCE : 40±10gf
- ③ LIFE TIME : 100,000 CYCLES

PART NUMBER	DIMENSION "H"
SWAK1-510R004V7	8.5mm
SWAK2-510R004V7	11.0mm
SWAK3-510R004V7	12.3mm
SWAK4-510R004V7	13.7mm

<small>QUALITY CONTROL EFFECTIVE DATE: 2018.08.01 THE SYMBOL IS ▲</small> <small>RoHS COMPLIANT</small> <small>HIP COMPLIANT</small> <small>LEAD FREE</small>	METRIC	WIROS Electronics Int'l CO., Ltd.	
	DRAWER JIANKUN, LIU	NOTICE OF PROPRIETARY PROPERTY: THIS DRAWING CONTAINS INFORMATION THAT IS PROPRIETARY TO WIROS ELECTRONICS INTERNATIONAL COMPANY LIMITED. AND SHOULD NOT BE USED WITHOUT WIROS'S WRITTEN CONSENT.	
	APPROVER RON, HAN		
	DIMENSIONS ARE IN MILLIMETERS TOLERANCES		TITLE
30+ ±0.30 10~30 ±0.20 5~10 ±0.15 *~5 ±0.10 ANGLES ±2°		DETECTOR SWITCH 4P, VERTIVLE, 3×5×4.9mm SURFACE MOUNT TYPE	
DO NOT SCALE DRAWINGS		PRODUCT NUMBER	
 THIRD ANGLE PROJECTION		SWAK*-510R004V7	
SIZE A4	REV.	SCALE 1 : 1	SHEET 1 OF 1