

※NOTES※

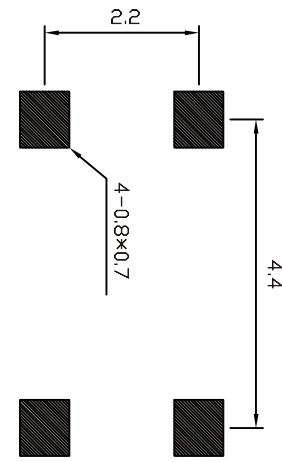
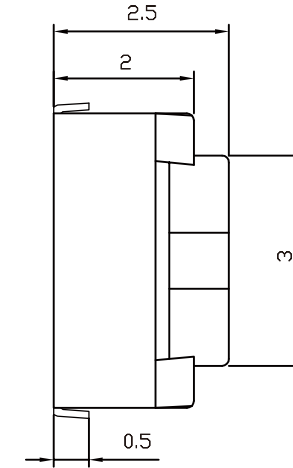
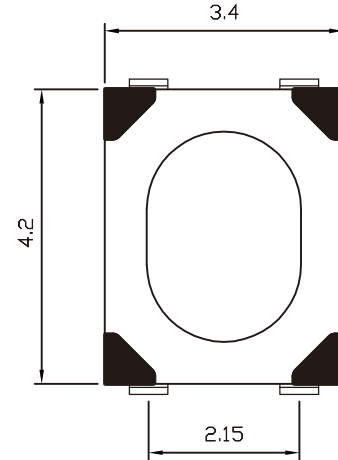
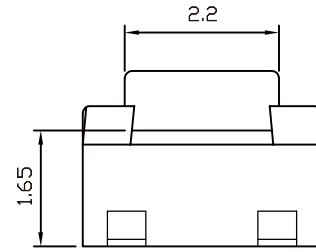
MECHANICAL

- ① HOUSING : THERMOPLASTIC L.C.P., COLOR BEIGE
- ② BUTTON : PPA, COLOR WHITE
- ③ CONTACT SPRING : SUS, SILVER PLATED
- ④ SOLDER TAIL : PHOSPHOR BRONZE, SILVER PLATED

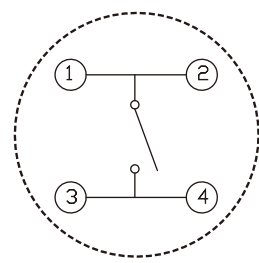
SPECIFICATION

- ① RATING : DC 12V, 50mA
- ② CONTACT RESISTANCE : 100mΩ MAX.
- ③ INSULATION RESISTANCE : 100MΩ MIN. AT 100V DC
- ④ OPERATING FORCE : 250±20gf
- ⑤ OPERATING LIFE : 50,000 CYCLES
- ⑥ OPERATING TEMPERATURE : -25°C TO +70°C

※※ SOLDERING PROCESS MUST FOLLOWING :
INFRARED REFLOW SOLDERING IN ACCORDANCE WITH
IEC61760-1.



RECOMMENDED P.C.B. LAYOUT
(TOP VIEW)



SCHEMATIC

QUALITY CONTROL LINE DIMENSIONS SHALL MARKED THE SYMBOL AS ▽ RoHS COMPLIANT HfP HfP COMPLIANT LEAD FREE	METRIC		WIROS Electronics Int'l CO., Ltd.	
	DRAWER YD, LEE		NOTICE OF PROPRIETARY PROPERTY: THIS DRAWING CONTAINS INFORMATION THAT IS PROPRIETARY TO WIROS ELECTRONICS INTERNATIONAL COMPANY LIMITED. AND SHOULD NOT BE USED WITHOUT WIROS'S WRITTEN CONSENT.	
	APPROVER TAI, YU		TITLE	
	DIMENSIONS ARE IN MILLIMETERS TOLERANCES X. ----- X.X ±0.35 X.XX ±0.25 X.XXX ±0.15 ANGLES ±3°		TOP ACTUATED TACTILE SWITCH 4.2x3.4x2.5mm 4 PINS SMD	
DO NOT SCALE DRAWINGS		PRODUCT NUMBER SWA9C-12SR004M7		
THIRD ANGLE PROJECTION		SCALE NONE		
SIZE A4	REV.	SHEET 1 OF 1		