

※NOTES※

MECHANICAL

- ① HOUSING : HIGH-TEMPERATURE P.B.T. UL94V-0 BLACK
- ② BUTTON : HIGH-TEMPERATURE P.B.T. UL94V-0 BLACK
- ③ CONTACT : PBS, GOLD PLATED
- ④ COVER : STEEL, NICKEL PLATED

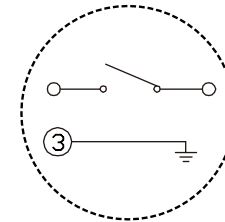
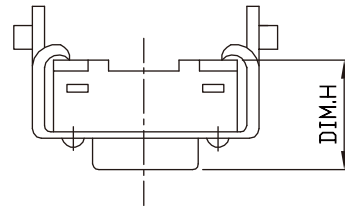
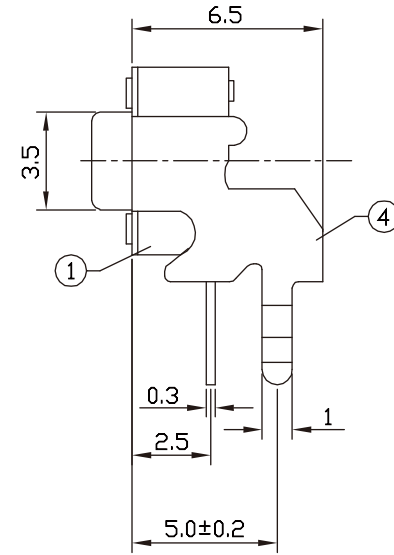
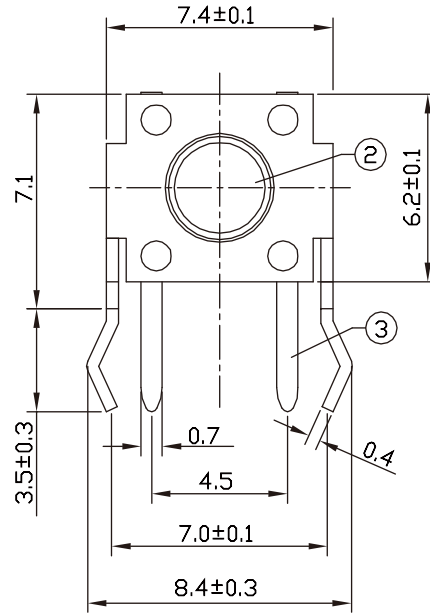
SPECIFICATION

- ① RATING : 50mA, 12VDC
- ② CONTACT RESISTANCE : 100mΩ MAX.
- ③ INSULATION RESISTANCE : 100MΩ MIN.
- ④ DIELECTRIC WITHSTAND VOLTAGE : 250V AC 50/60Hz FOR 1 MINUTE
- ⑤ LIFE EXPECTANCE : 100,000 CYCLES
- ⑥ OPERATING TEMPERATURE : -35°C TO +85°C
- ⑦ SOLDERABILITY PER EIA-364-52 CLASS II, CATEGORY 1

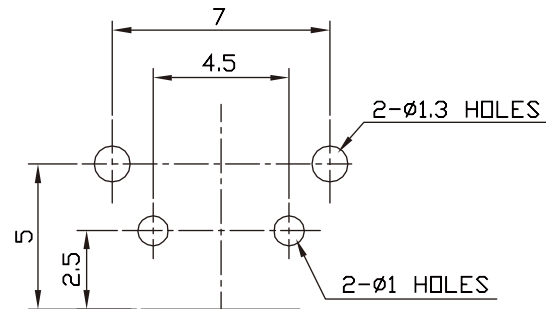
※※ THIS IS A RoHS COMPLIANT PRODUCT.

PRODUCT ORDER OPTION

PART NO.	DIM.H
SWA30-610P004N1	4.0
SWA31-610P004N1	4.3
SWA33-610P004N1	5.0
SWA34-610P004N1	6.3
SWA37-610P004N1	8.0
SWA39-610P004N1	9.0



SCHEMATIC



RECOMMENDED P.C.B. LAYOUT

QUALITY CONTROL DIMENSIONS SHALL MARKED THE SYMBOL AS ▲	METRIC		WIROS Electronics Int'l CO., Ltd.	
	DRAWER Y. TOMITA		NOTICE OF PROPRIETARY PROPERTY: THIS DRAWING CONTAINS INFORMATION THAT IS PROPRIETARY TO WIROS ELECTRONICS INTERNATIONAL COMPANY LIMITED. AND SHOULD NOT BE USED WITHOUT WIROS'S WRITTEN CONSENT.	
	APPROVER TAI, YU			
	DIMENSIONS ARE IN MILLIMETERS TOLERANCES		TITLE	
<5mm ±0.10 >5mm ±0.20 ANGULAR ±1°		TACTILE BUTTON SWITCH 4P THT		
DO NOT SCALE DRAWINGS		PRODUCT NUMBER		
		SWA3×-610P004N1		
SIZE A4	REV.	SCALE 1 : 1	SHEET 1 OF 1	