

※NOTES※

MECHANICAL

- ① HOUSING : HIGH-TEMPERATURE P.B.T. UL94V-0 BLACK
- ② BUTTON : HIGH-TEMPERATURE P.B.T. UL94V-0 BLACK
- ③ COAT : SPCC, NICKEL PLATED
- ④ CONTACT FOOT : BRASS, GOLD PLATED
- ⑤ CONTACT : PHOSPHOR BRONZE, GOLD CLAD

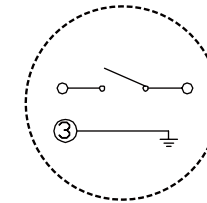
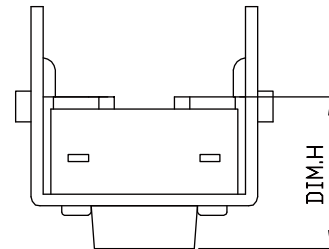
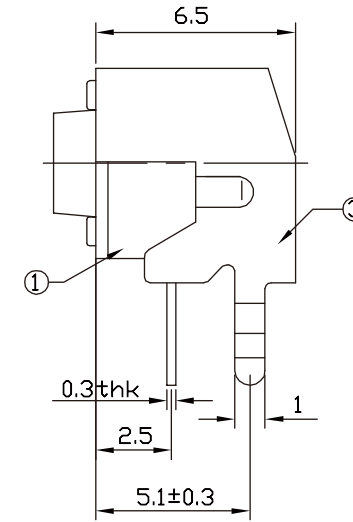
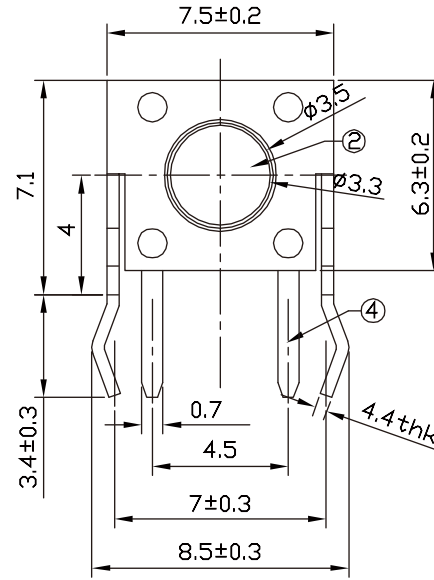
SPECIFICATION

- ① RATING : 50mA, 12VDC
- ② CONTACT RESISTANCE : 100mΩ MAX.
- ③ INSULATION RESISTANCE : 100MΩ MIN.
- ④ DIELECTRIC WITHSTAND VOLTAGE : 250V AC 50/60Hz FOR 1 MINUTE
- ⑤ LIFE EXPECTANCE : 100,000 CYCLES
- ⑥ OPERATING TEMPERATURE : -35°C TO +85°C
- ⑦ SOLDERABILITY PER EIA-364-52 CLASS II, CATEGORY 1

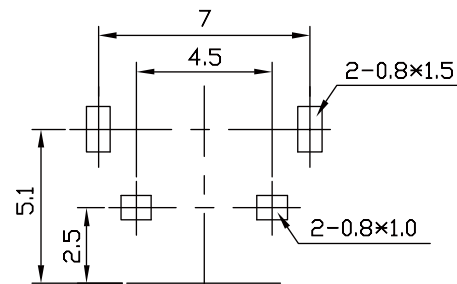
※※ THIS IS A RoHS COMPLIANT PRODUCT.

PRODUCT ORDER OPTION

PART NO.	DIM.H
SWA10-610P004N1	4.0
SWA11-610P004N1	4.3
SWA12-610P004N1	5.2
SWA14-610P004N1	6.3
SWA15-610P004N1	7.0
SWA17-610P004N1	8.0
SWA19-610P004N1	9.0



SCHEMATIC



RECOMMENDED P.C.B. LAYOUT

<small>QUALITY CONTROL DIMENSIONS SHALL MARKED THE SYMBOL AS</small> <input checked="" type="checkbox"/> RoHS COMPLIANT <input type="checkbox"/> HIF <input checked="" type="checkbox"/> LEAD-FREE	METRIC	WIROS Electronics Int'l CO., Ltd.		
	<small>DRAWER</small> Y. TOMITA <small>APPROVER</small> TAI, YU	<small>NOTICE OF PROPRIETARY PROPERTY: THIS DRAWING CONTAINS INFORMATION THAT IS PROPRIETARY TO WIROS ELECTRONICS INTERNATIONAL COMPANY LIMITED. AND SHOULD NOT BE USED WITHOUT WIROS'S WRITTEN CONSENT.</small>		
	<small>DIMENSIONS ARE IN MILLIMETERS TOLERANCES</small> <5mm ±0.10 >5mm ±0.20 ANGULAR ±1°	<small>TITLE</small> TACTILE BUTTON SWITCH 4P THT		
	<small>DO NOT SCALE DRAWINGS</small> <small>THIRD ANGLE PROJECTION</small>	<small>PRODUCT NUMBER</small> SWA1*-610P004N1		
<small>SIZE</small> A4	<small>REV.</small>	<small>SCALE</small> 1 : 1	<small>SHEET</small> 1 OF 1	