

NOTES : (UNLESS OTHERWISE SPECIFIED)

MATERIAL

- BASE HOUSING : THERMOPLASTIC-LCP, UL94V-0, COLOR BLACK
- STEM : THERMOPLASTIC-LCP, UL94V-0, COLOR BEIGE
- COVER : STAINLESS STEEL, NICKEL PLATING
- CONTACT SPRING : PHOSPHOR BRONZE, SILVER PLATING

SPECIFICATION

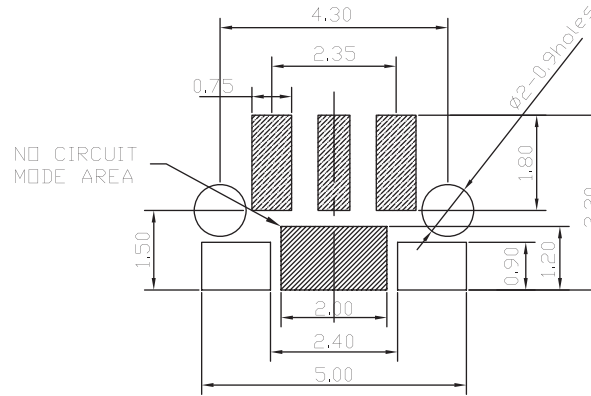
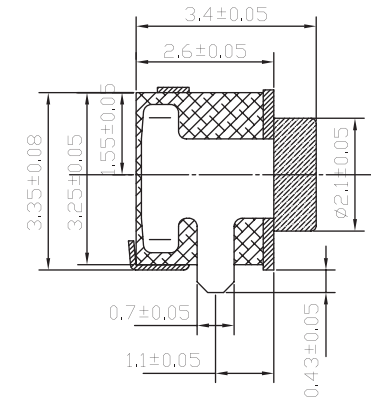
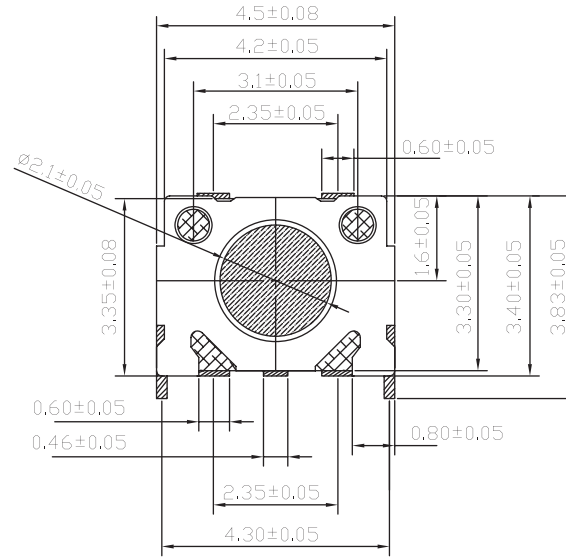
- RATING : 50mA, DC12V MAX.
- CONTACT RESISTANCE : 500mΩ MAX.
- BOUNCE : 10m SEC. MAX.
- TRAVEL : 0.2±0.1mm
- OPERATING FORCE : 160±50gf
- OPERATING LIFE CYCLES : 100,000 CYCLES MIN.
- OPERATION TEMPERATURE : -25°C ~ +105°C
- STORAGE TEMPERATURE : -20°C ~ +70°C
- REFLOW PEAK TEMPERATURE : 260±5°C FOR 5 SECS. MAX.

** RoHS COMPLIANCE, PER EU DIRECTIVE 2002/95/EC.
 ** HALOGEN FREE PRODUCT.

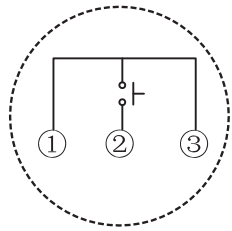
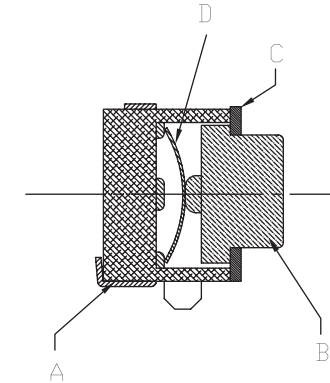
PRODUCT NUMBER INFORMATION

SWA05- 1 1SR003V1

BASE&STEM MATERIAL
 1~THERMOPLASTIC-LCP, UL94V-0
 (HALOGEN FREE)



RECOMMENDED CIRCUIT BOARD LAYOUT
 (TOP VIEW)
 TOLERANCE ±0.05mm



CIRCUIT DIAGRAM

RoHS Directive compliant: 2002/95/EC LEAD FREE PRODUCT (Pb)	METRIC	Wiros Electronics International Company Limited NOTICE OF PROPRIETARY PROPERTY THE INFORMATION CONTAINED HEREIN IS THE PROPRIETARY PROPERTY OF WIROS ELECTRONICS INTERNATIONAL COMPANY LIMITED. COPYRIGHT 2008. ALL RIGHTS RESERVED. WIROS, THE LOGO IS TRADEMARK OF WIROS ELECTRONICS INT'L. CO., LTD.
	DRAWER: A. TAKUYA APPROVER: K. KITAGAWA	
	DIMENSIONS ARE IN MILLIMETERS TOLERANCES X.X ±0.05 X.XX ---- X.XXX ---- ANGULAR ±2°	TITLE LIGHT ROLLING TACTILE SWITCH R/A SMT
	THIRD ANGLE PROJECTION SIZE A4	PRODUCT NO. SWA05-11SR003V1 SHEET NO. 1 OF 1 SCALE N/A