

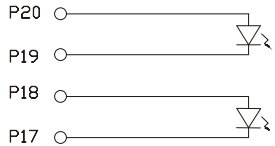
FEATURES

- ◎ ETHERNET TRANSFORMER ACCORDING TO IEEE 802.3 POWER ON ETHERNET FOR PSE APPLICATIONS
- ◎ MEETS THE STANDARDS OF EIA-364, FCC PART 68, AND IEC 60512-1-100.
- ◎ DATA RATE UP TO 2.5/5G BASE-TX
- ◎ CURRENT CAPABILITY UP TO 600mA PER PAIR
- ◎ FULLY PARAMETRIC, HI-POT, AND DC TESTED MODULES WITH EXCELLENT EMI FILTERING
- ◎ COMPLIANCE TO J-STD-020 : LEVEL 1, NO SENSITIVE MOISTURE

ELECTRICAL CHARACTERISTICS AT +25°C (UNLESS OTHERWISE SPECIFIED)

- TR : INPUT TO OUTPUT 1CT : 1CT $\pm 3\%$ AT 100KHz, 0.1V.
- LX : 150 μ H MIN. AT 100KHz, 100mV, 10.8mA, DC BIAS
- DCR : 1.2 OHMS MAX.
- HI-POT : INPUT TO OUTPUT 2,250VDC
- INSERTION LOSS : -0.5dB MAX AT 1 MHz to 50 MHz
-1.0dB MAX AT 50 MHz to 125 MHz
-1.5dB MAX AT 125 MHz to 250 MHz
- RETURN LOSS : -20dB MIN AT 1 MHz to 40 MHz
-20+15*Log(f/40MHz)dB MIN AT 40 MHz to 250 MHz
- CROSS TALK : -30dB MIN AT 1 MHz to 125 MHz
-20dB MIN AT 125 MHz to 250 MHz
- COMMON TO DIFFERENTIAL MODE REJECTION : -30dB MIN AT 30 MHz to 250 MHz
- COMMON TO COMMON MODE REJECTION : -30dB MIN AT 30 MHz TO 250 MHz
- BALANCE DC LINE CURRENT : 600mA MAX AT 57VDC CONTINUOUS.

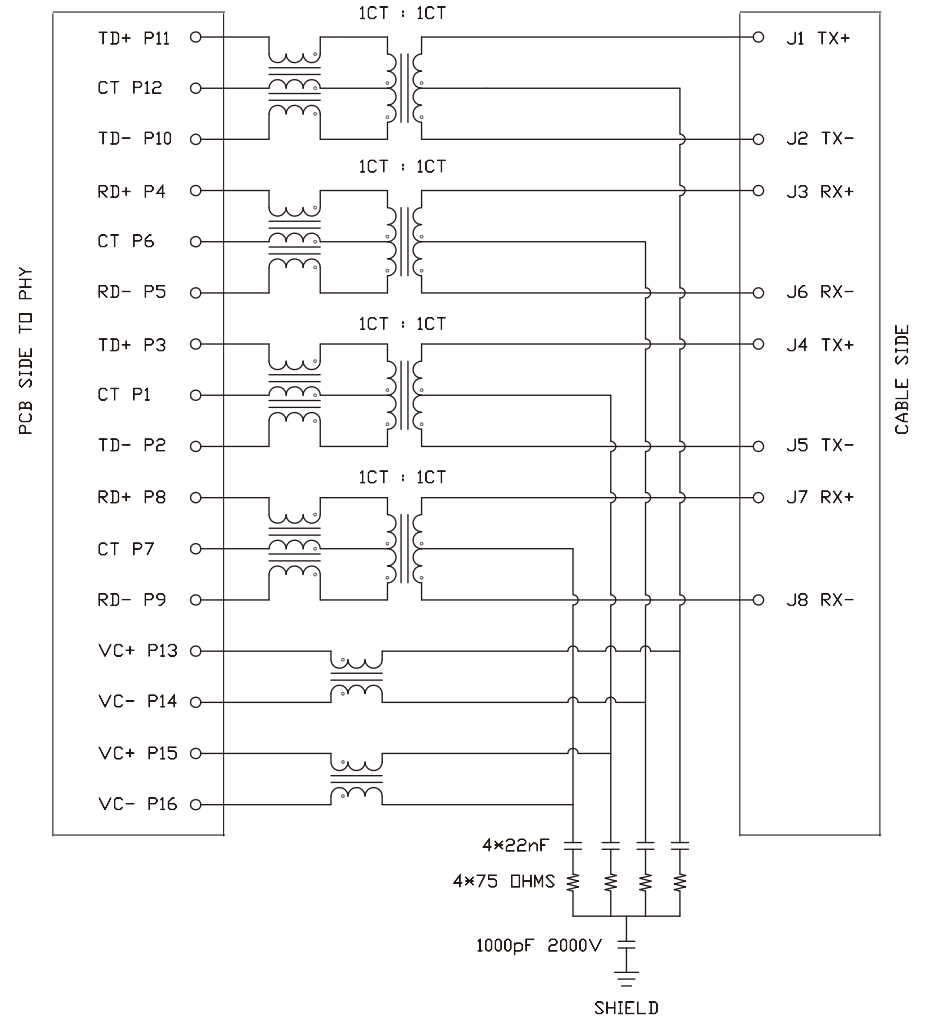
LED SPECIFICATION



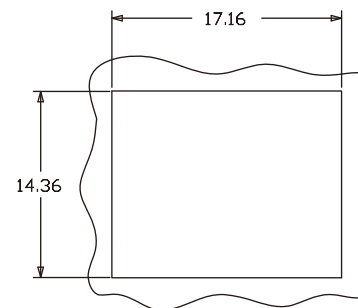
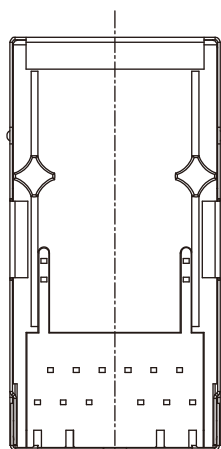
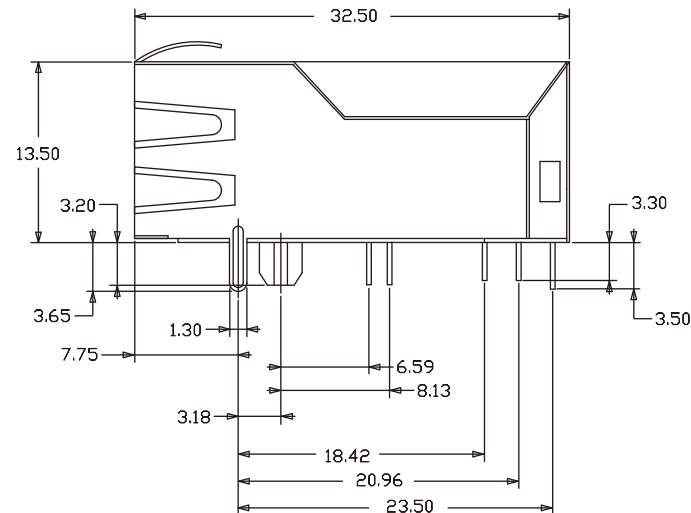
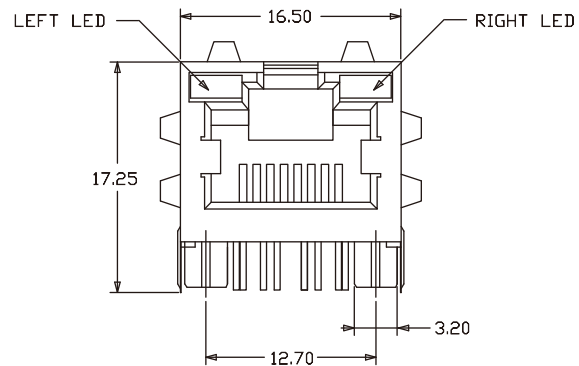
PIN	LEFT LED	PIN	RIGHT LED
P20	+	P18	+
P19	-	P17	-

RoHS COMPLIANT AND MEET THE REQUIREMENTS DEFINED UNDER DIRECTIVE 2011/65/EU OF THE EUROPEAN PARLIAMENT AND OF THE COUNCIL OF JUNE 8TH, 2011 ON THE RESTRICTION OF THE USE OF CERTAIN HAZARDOUS SUBSTANCES IN ELECTRICAL AND ELECTRONIC EQUIPMENT (EEE).

SCHEMATIC



METRIC		WIROS ELECTRONICS INTERNATIONAL COMPANY LIMITED	
DRAWER	LUCY, L	NOTICE OF PROPRIETARY PROPERTY THIS DRAWING CONTAINS INFORMATION THAT IS PROPRIETARY TO WIROS ELECTRONICS INTERNATIONAL COMPANY LIMITED AND SHOULD NOT BE USED WITHOUT WRITTEN CONSENT FROM WIROS.	
APPROVER	ALEX, W		
DIMENSIONS ARE IN MILLIMETERS TOLERANCES		TITLE	
X.	± 0.50	5G1P THT20 PDE LED + CMC MODULAR ETHERNET RECEPTACLE CONNECTOR	
X.X	± 0.30		
X.XX	± 0.25		
X.XXX	± 0.10		
ANGLES $\pm 3^\circ$		PRODUCT NUMBER	
DO NOT SCALE DRAWINGS		SPCF7-61*T020PU-F11S*XXN	
THIRD ANGLE PROJECTION		SCALE	
SIZE	A4	1 : 1	SHEET 1 OF 3



RECOMMENDED
PANEL CUT-OUT DIMENSIONS

NOTES (UNLESS OTHERWISE SPECIFIED)

- HOUSING : HIGH-TEMPERATURE PBT, UL94V-0, BLACK
- CONTACT : PHOSPHOR BRONZE T=0.35mm WITH SELECTIVE GOLD PLATING ON CONTACT AREA
TIN UNDER-PLATED OVERALL
- SHIELD : COPPER ALLOY WITH NICKEL PLATED OVERALL
- LED TERMINAL(S) : PHOSPHOR BRONZE, TIN PLATED
- DURABILITY : 750 MATING/UNMATING CYCLES MINIMUM
- WAVE SOLDERING PEAK TEMPERATURE : 250±5°C FOR 3±0.5 SECONDS MAXIMUM

MARKING

- LOGO : "WIROS"
- MPN : SPCF7
- DATECODE : YYWW

REV. DATE DESCRIPTION

QUALITY CONTROL DIMENSIONS SHALL MARKED THE SYMBOL AS RoHS COMPLIANT HTP COMPLIANT LEAD FREE	METRIC		WIROS ELECTRONICS <small>INTERNATIONAL COMPANY LIMITED</small>	
	DRAWER LUCY, L		<small>NOTICE OF PROPRIETARY PROPERTY</small> <small>THIS DRAWING CONTAINS INFORMATION THAT IS PROPRIETARY TO</small> <small>WIROS ELECTRONICS INTERNATIONAL COMPANY LIMITED</small> <small>AND SHOULD NOT BE USED WITHOUT WRITTEN CONSENT FROM WIROS.</small>	
	APPROVER ALEX, W		TITLE 5G1P THT20 PDE LED + CMC MODULAR ETHERNET RECEPTACLE CONNECTOR	
	DIMENSIONS ARE IN MILLIMETERS TOLERANCES X. ±0.50 X.X ±0.30 X.XX ±0.25 X.XXX ±0.10 ANGLES ±3° DO NOT SCALE DRAWINGS		PRODUCT NUMBER SPCF7-61×T020PU-F11S××N	
SIZE A4	THIRD ANGLE PROJECTION 	SCALE 1 : 1	SHEET 2 OF 3	

RECOMMENDED PRINTED CIRCUIT BOARD (PCB) LAYOUT

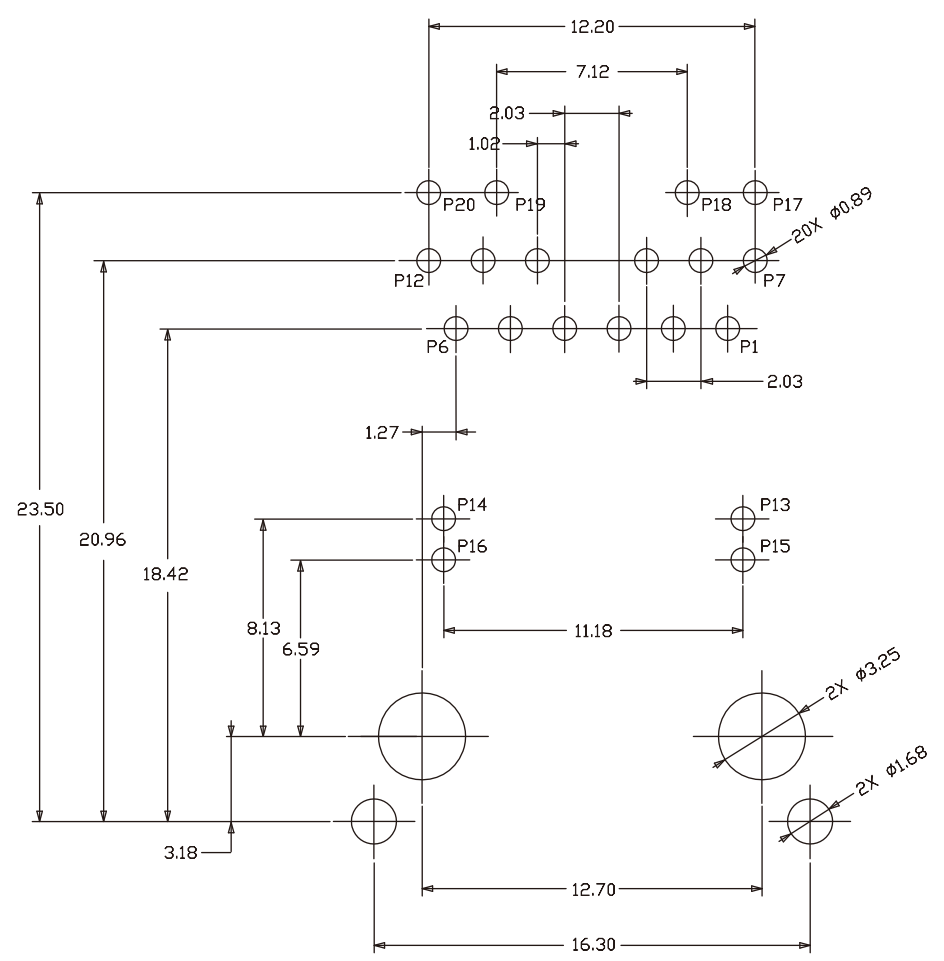
PRODUCT ORDER OPTION

SPCF7-61 T020PU-F11S S

PLATING METHOD
 0~GOLD 0.2~1μ ON CONTACT AREA
 1~GOLD 3μ ON CONTACT AREA
 2~GOLD 6μ ON CONTACT AREA
 4~GOLD 15μ ON CONTACT AREA
 6~GOLD 30μ ON CONTACT AREA

RIGHT LED
 0~YELLOW
 4~GREEN
 7~RED
 A~BLUE

LEFT LED
 0~YELLOW
 4~GREEN
 7~RED
 A~BLUE



(TOP VIEW)
 TOLERANCE ±0.05mm MAXIMUM

QUALITY CONTROL LINE DIMENSIONAL TOLERANCE SHALL MARKED THE SYMBOL AS RoHS <input checked="" type="checkbox"/> COMPLIANT HTP <input type="checkbox"/> COMPLIANT LEAD-FREE <input checked="" type="checkbox"/>	METRIC		WIROS ELECTRONICS INTERNATIONAL COMPANY LIMITED		
	DRAWER LUCY, L		NOTICE OF PROPRIETARY PROPERTY THIS DRAWING CONTAINS INFORMATION THAT IS PROPRIETARY TO WIROS ELECTRONICS INTERNATIONAL COMPANY LIMITED AND SHOULD NOT BE USED WITHOUT WRITTEN CONSENT FROM WIROS.		
	APPROVER ALEX, W		TITLE		
	DIMENSIONS ARE IN MILLIMETERS TOLERANCES X. ±0.50 X.X ±0.30 X.XX ±0.25 X.XXX ±0.10 ANGLES ±3° DO NOT SCALE DRAWINGS		PRODUCT NUMBER SPCF7-61*T020PU-F11S* <input checked="" type="checkbox"/> <input checked="" type="checkbox"/> N		
THIRD ANGLE PROJECTION 		SIZE A4	REV.	SCALE 1 : 1	SHEET 3 OF 3