

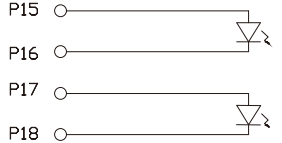
FEATURES

- ⊙ ETHERNET TRANSFORMER ACCORDING TO IEEE 802.3at (PoE PLUS) FOR PSE APPLICATIONS
- ⊙ MEETS THE STANDARDS OF EIA-364, FCC PART 68, AND IEC 60512-1-100.
- ⊙ CAPABLE OF 10/100/1000 BASE-TX
- ⊙ SUPPORT POWER UP TO 30W
- ⊙ FULLY PARAMETRIC, HI-POT, AND DC TESTED MODULES WITH EXCELLENT EMI FILTERING
- ⊙ COMPLIANCE TO J-STD-020 : LEVEL 1, NO SENSITIVE MOISTURE

ELECTRICAL CHARACTERISTICS AT +25°C (UNLESS OTHERWISE SPECIFIED)

1. OCL : 350uH MINIMUM AT 100MHz, 100mV, 8mA DC BIAS
2. INSERTION LOSS : -1.2dB MAXIMUM AT 100KHZ-100MHz
3. RETURN LOSS : -18dB MINIMUM AT 1-30 MHz
-13dB MINIMUM AT 30-60 MHz
-12dB MINIMUM AT 60-80 MHz
4. COMMON MODE REJECTION : -30dB MINIMUM AT 1-100 MHz
5. CROSS TALK : -30dB MINIMUM AT 1-100 MHz
6. ISOLATION VOLTAGE : 1,500 V/AC (INPUT OR OUTPUT)
7. STORAGE TEMPERATURE : -40°C TO +85°C
8. OPERATING TEMPERATURE : -40°C TO +85°C
9. ACCORDING TO IEEE 802.3 FOR PSE (30WATTS) APPLICATIONS
DC CURRENT CAPABILITY UP TO 720mA AT 57VDC (CONTINUOUS)

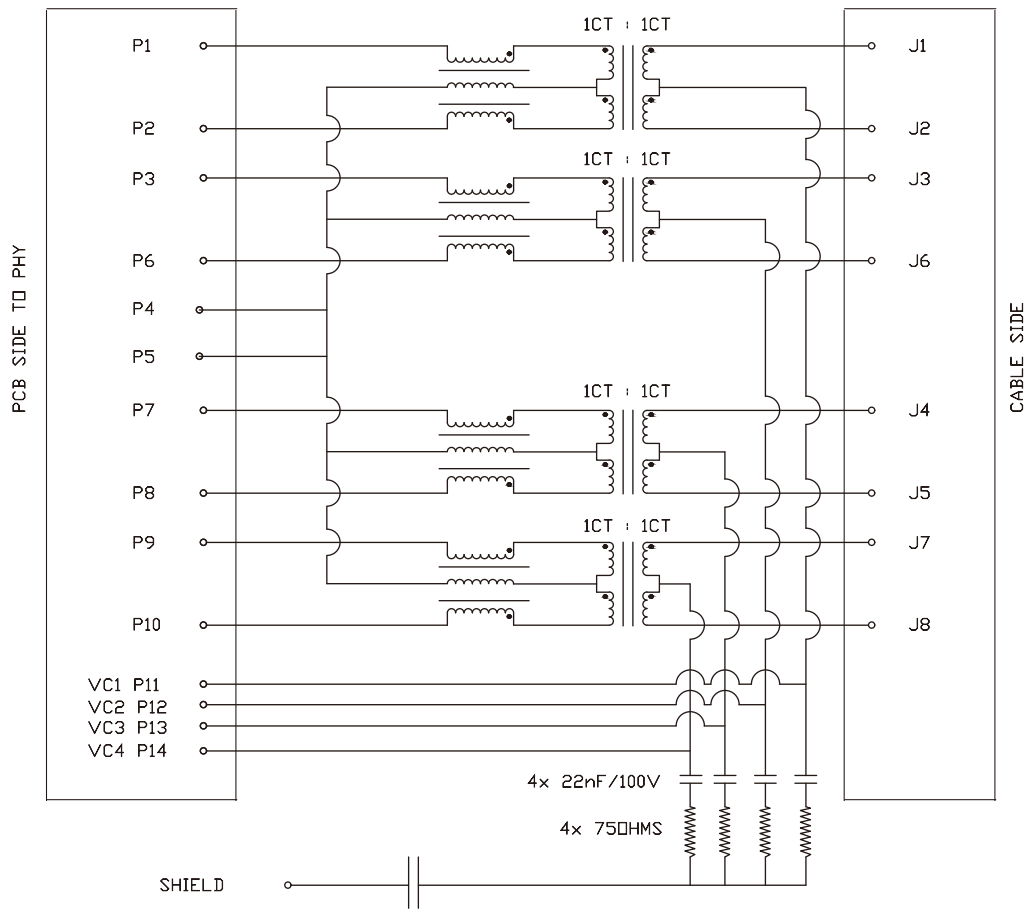
LED SPECIFICATION



PIN	YELLOW	PIN	GREEN
P15	+	P17	+
P16	-	P18	-

RoHS COMPLIANT AND MEET THE REQUIREMENTS DEFINED UNDER DIRECTIVE 2011/65/EU OF THE EUROPEAN PARLIAMENT AND OF THE COUNCIL OF JUNE 8TH, 2011 ON THE RESTRICTION OF THE USE OF CERTAIN HAZARDOUS SUBSTANCES IN ELECTRICAL AND ELECTRONIC EQUIPMENT (EEE).

SCHEMATIC



QUALITY CONTROL LINE DIMENSIONS SHALL MARKED THE SYMBOL IS ▲	METRIC		WIROS ELECTRONICS INTERNATIONAL COMPANY LIMITED	
	DRAWER LUCY, L		NOTICE OF PROPRIETARY PROPERTY THIS DRAWING CONTAINS INFORMATION THAT IS PROPRIETARY TO WIROS ELECTRONICS INTERNATIONAL COMPANY LIMITED AND SHOULD NOT BE USED WITHOUT WRITTEN CONSENT FROM WIROS.	
	APPROVER YUCAI, Y		TITLE	
	DIMENSIONS ARE IN MILLIMETERS TOLERANCES 0~10 ±0.15 10~20 ±0.25 20~40 ±0.25 40~70 ±0.30 70+ ±0.40 ANGLES ±3° DO NOT SCALE DRAWINGS		PRODUCT NUMBER SPCA1-51*T016PD-F11S04N	
RoHS HTP LEAD FREE	THIRD ANGLE PROJECTION 		SCALE 1 : 1	SHEET 1 OF 3
SIZE A4		REV.		1

