

FEATURES

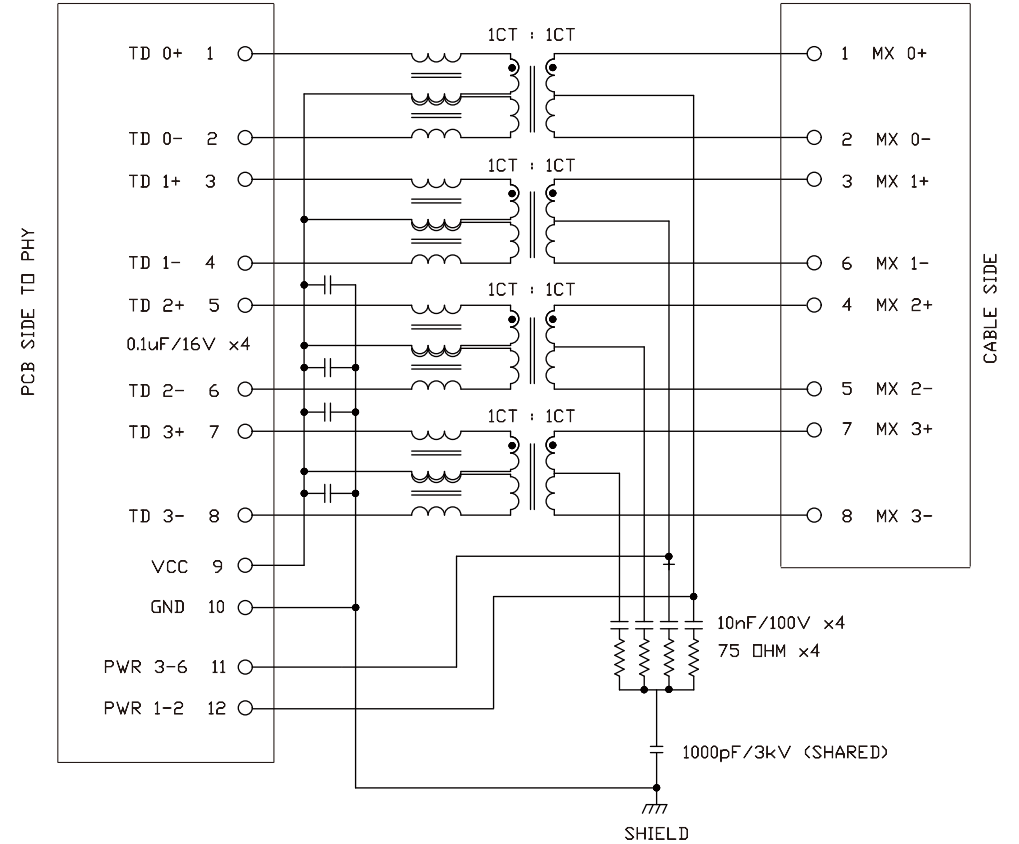
- ETHERNET TRANSFORMER ACCORDING TO IEEE 802.3at/af (PoE PLUS) FOR PSE APPLICATIONS
- COMPLIANT WITH IEEE STANDARD 802.3-2012
- CAPABLE OF 10/100/1000 BASE-TX
- CAPABLE OF DELIVERING UP TO 600mA, 30 WATTS OF POWER TO DEVICES
- FULLY PARAMETRIC, HI-POT, AND DC TESTED MODULES WITH EXCELLENT EMI FILTERING
- OPERATING TEMPERATURE -40°C TO +85°C, EXTERNAL AMBIENT TEMPERATURE
- COMPLIANCE TO J-STD-020 : LEVEL 1, NO SENSITIVE MOISTURE

ELECTRICAL CHARACTERISTICS AT +25°C (UNLESS OTHERWISE SPECIFIED)

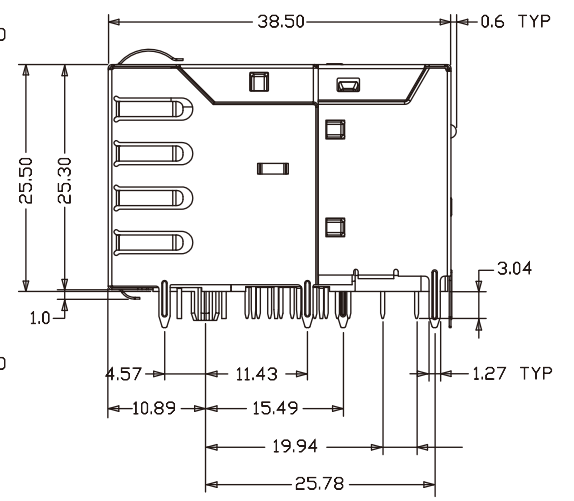
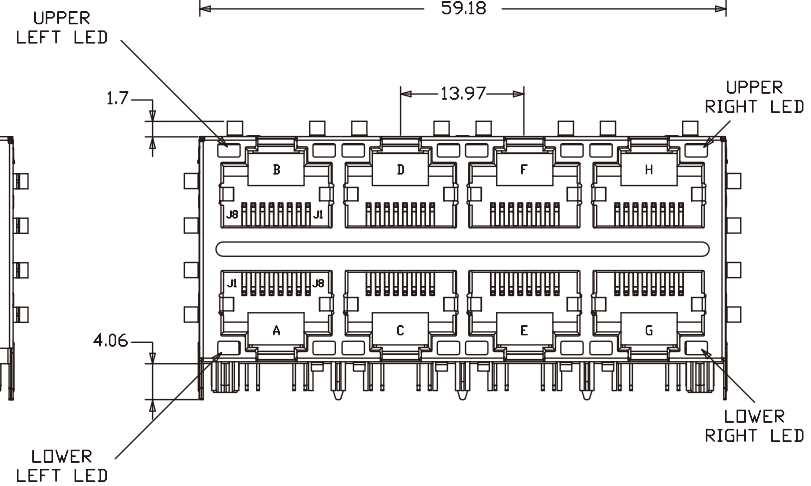
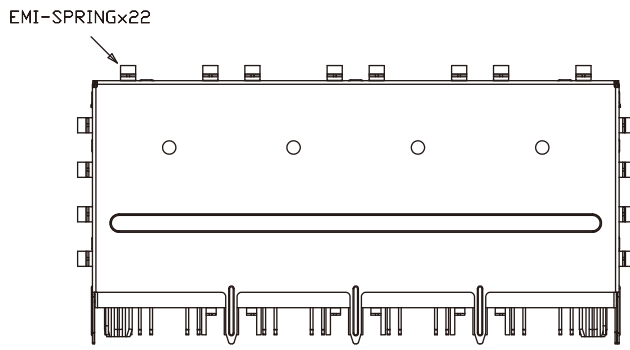
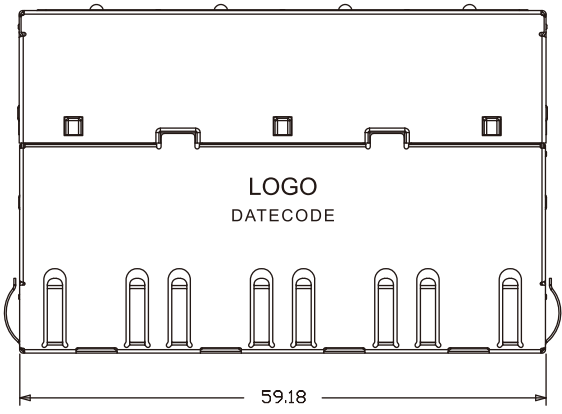
- TR: (100KHz, 0.1V)
 PINS : (P1-P2) : (J1-J2) = 1 : 1 ±3%
 PINS : (P3-P4) : (J3-J6) = 1 : 1 ±3%
 PINS : (P5-P6) : (J4-J5) = 1 : 1 ±3%
 PINS : (P7-P8) : (J7-J8) = 1 : 1 ±3%
- LX: (100KHz, 100mV, 8mA, DC BIAS)
 PINS : (P1,P2),(P3,P4),(P5,P6),(P7,P8) = 350uH MINIMUM
- HI-POT:
 PCB SIDE TO CABLE SIDE = 1500 VAC FOR 60 SECONDS
- INSERTION LOSS:
 -10dB MAXIMUM AT 0.3MHZ TO 100MHZ
- RETURN LOSS:
 -18dB MINIMUM AT 1 MHZ TO 40 MHZ
 -14dB MINIMUM AT 40 MHZ TO 60 MHZ
 -12dB MINIMUM AT 60 MHZ TO 80 MHZ
 -10dB MINIMUM AT 80 MHZ TO 100 MHZ
- CROSS TALK:
 -30dB MINIMUM AT 1 MHZ TO 100 MHZ
- COMMON TO COMMON MODE REJECTION:
 -30dB MINIMUM AT 1 MHZ TO 100 MHZ
- ACCORDING TO IEEE 802.3-2012 FOR PSE (30WATTS) APPLICATIONS
 DC CURRENT CAPABILITY UP TO 600MA (CONTINUOUS)

RoHS COMPLIANT AND MEET THE REQUIREMENTS DEFINED UNDER DIRECTIVE 2011/65/EU OF THE EUROPEAN PARLIAMENT AND OF THE COUNCIL OF JUNE 8TH, 2011 ON THE RESTRICTION OF THE USE OF CERTAIN HAZARDOUS SUBSTANCES IN ELECTRICAL AND ELECTRONIC EQUIPMENT (EEE).

SCHEMATIC



METRIC		WIROS ELECTRONICS INTERNATIONAL COMPANY LIMITED	
DRAWER	LISA, C	NOTICE OF PROPRIETARY PROPERTY THIS DRAWING CONTAINS INFORMATION THAT IS PROPRIETARY TO WIROS ELECTRONICS INTERNATIONAL COMPANY LIMITED AND SHOULD NOT BE USED WITHOUT WRITTEN CONSENT FROM WIROS.	
APPROVER	ALEX, W		
DIMENSIONS ARE IN MILLIMETERS TOLERANCES		TITLE	
* ±0.50 ** ±0.38 *** ±0.25 **** ±0.10		LED 1GB 2X4P PoE+ MODULAR ETHERNET RECEPTACLE CONNECTOR	
ANGLES ±3° DO NOT SCALE DRAWINGS		PRODUCT NUMBER	
THIRD ANGLE PROJECTION		SPC09-61*TI28PM-F24S**S	
SIZE	A4	SCALE	NONE
REV.	B	SHEET	1 OF 5

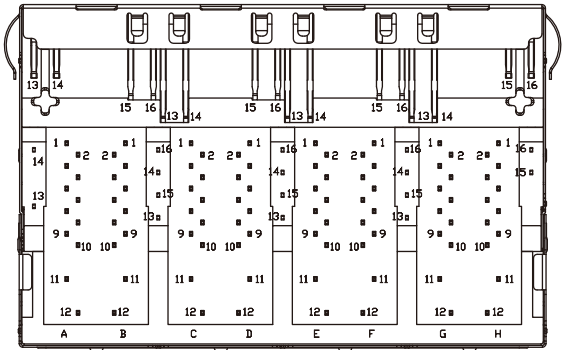


NOTES

- 1 HOUSING : THERMOPLASTIC PBT+30%GF UL94-V0 BLACK
- 2 SHIELD : BRASS, NICKEL PRE-PLATED OVERALL
- 3 ETHERNET TERMINAL(S) : PHOSPHOR BRONZE, SELECTIVE GOLD PLATED ON CONTACT AREA, NICKEL UNDERPLATED OVERALL
- 4 LED TERMINAL(S) : PHOSPHOR BRONZE, TIN PLATED
- 5 MATING/UNMATING FORCE : 0.9 Kg FORCE
- 6 RETENTION FORCE : 7.7Kg WHEN PLUG TAB HAS FULLY LOCK WITH TAB
- 7 DURABILITY : 750 MATING/UNMATING CYCLES MINIMUM
- 8 CONTACT RESISTANCE : 20 MILLIOHMS MAX (INITIAL)
- 9 WAVE SOLDERING PEAK TEMPERATURE : 260±5°C FOR 3~5 SECONDS MAXIMUM
- 10 OPERATING TEMPERATURE : -40°C TO +85°C, EXTERNAL AMBIENT TEMPERATURE
- 11 STORAGE TEMPERATURE : -40°C TO +85°C

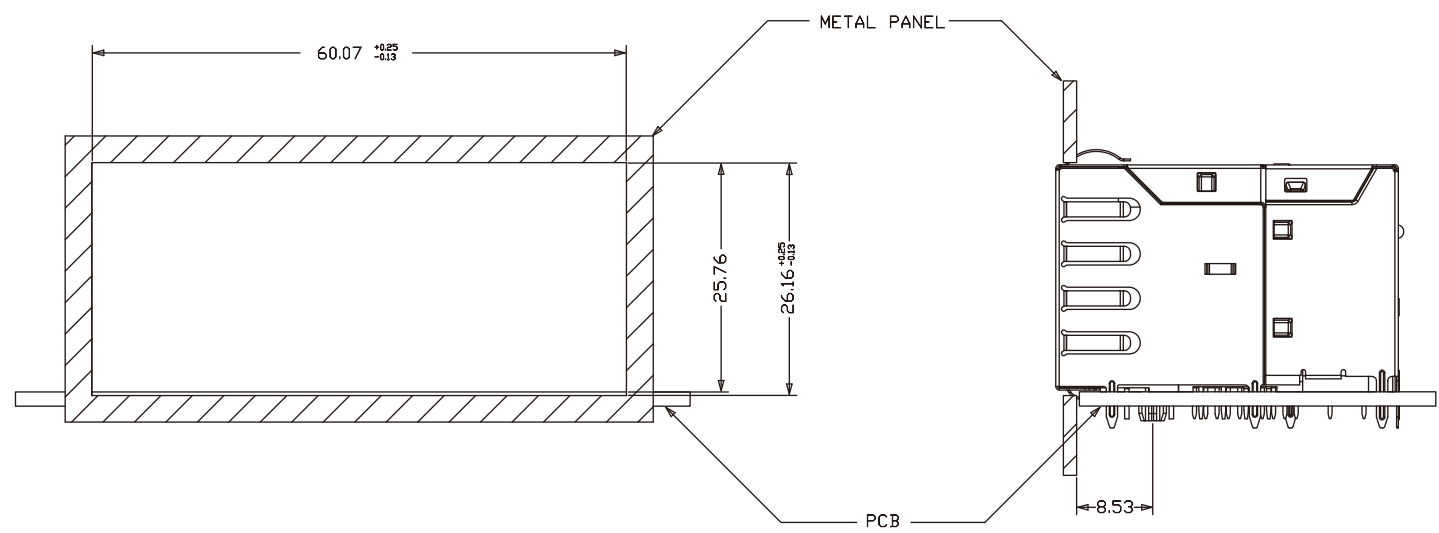
MARKING

- 1 LOGO = WIROS
- 2 DATECODE = YYWW, Y=YEAR, W=WEEK



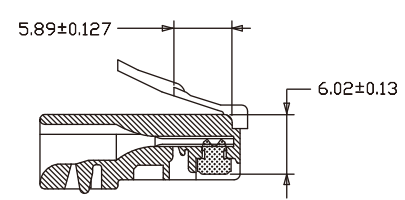
QUALITY CONTROL DIMENSIONS SHALL MARKED THE SYMBOL AS ▲ RoHS COMPLIANT HIF COMPLIANT LEAD FREE	METRIC	WIROS ELECTRONICS INTERNATIONAL COMPANY LIMITED	
	DRAWER	LISA, C	
	APPROVER	ALEX, W	
	DIMENSIONS ARE IN MILLIMETERS TOLERANCES		NOTICE OF PROPRIETARY PROPERTY THIS DRAWING CONTAINS INFORMATION THAT IS PROPRIETARY TO WIROS ELECTRONICS INTERNATIONAL COMPANY LIMITED AND SHOULD NOT BE USED WITHOUT WRITTEN CONSENT FROM WIROS.
* ±0.50 ** ±0.38 *** ±0.25 **** ±0.10		TITLE LED 1GB 2X4P POE+ MODULAR ETHERNET RECEPTACLE CONNECTOR	
ANGLES ±3° DO NOT SCALE DRAWINGS		PRODUCT NUMBER SPC09-61×T128PM-F24S**S	
THIRD ANGLE PROJECTION		SIZE	SCALE
THIRD ANGLE PROJECTION		A4	NONE
		REV.	SHEET
		B	2 OF 5

RECOMMENDED PANEL OPENING



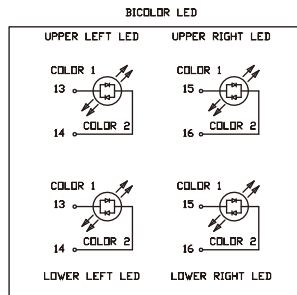
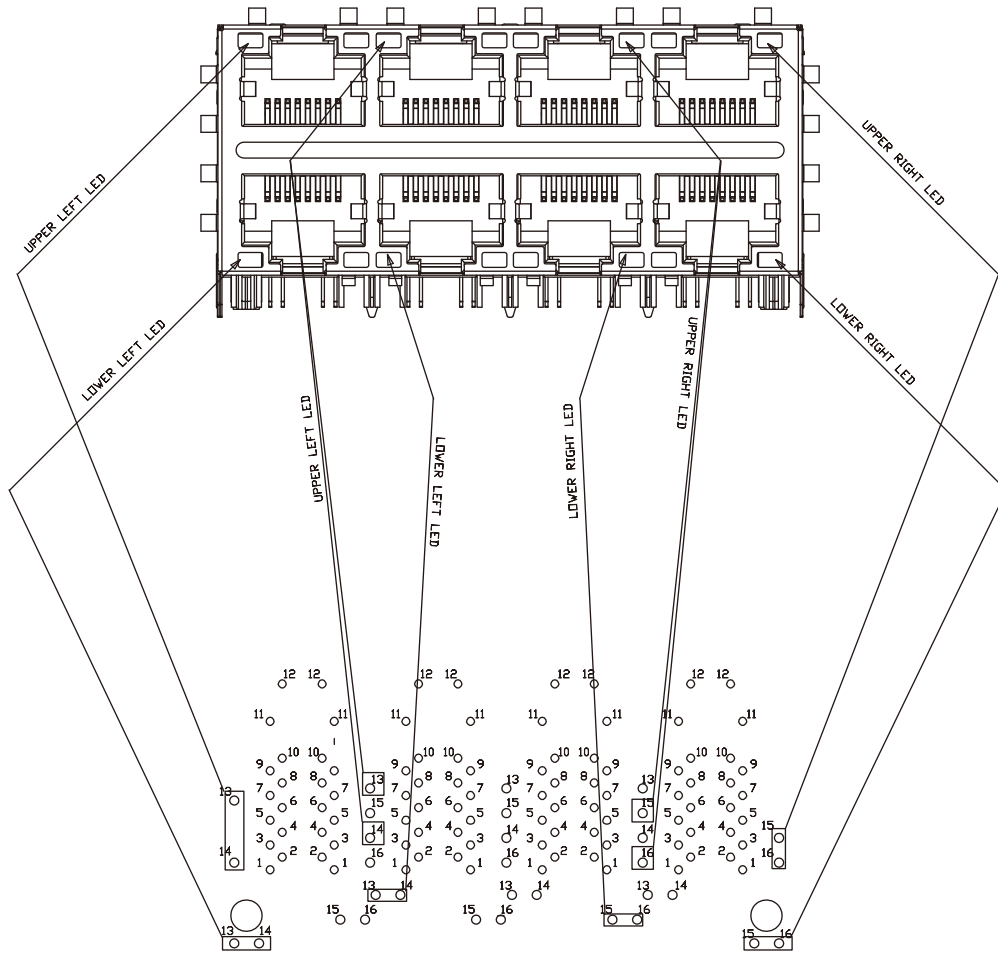
THIS DISTANCE OF PANEL INSIDE SURFACE RELATIVE TO FRONT SURFACE OF PART IS ONLY A SUGGESTION. IN CASE THIS DISTANCE IS DIFFERENT, THE REQUIRED PANEL OPENING DIMENSIONS CHANGE ACCORDINGLY.

RECOMMEND CABLE PLUG DIMENSION



QUALITY CONTROL: DIMENSIONS WILL MARKED THE SYMBOL AS <input checked="" type="checkbox"/> RoHS COMPLIANT <input type="checkbox"/> HTP <input checked="" type="checkbox"/> LEAD FREE	METRIC		WIROS ELECTRONICS <small>INTERNATIONAL COMPANY LIMITED</small>	
	DRAWER		<small>NOTICE OF PROPRIETARY PROPERTY</small> <small>THIS DRAWING CONTAINS INFORMATION THAT IS PROPRIETARY TO WIROS ELECTRONICS INTERNATIONAL COMPANY LIMITED AND SHOULD NOT BE USED WITHOUT WRITTEN CONSENT FROM WIROS.</small>	
	APPROVER		<small>NOTICE OF PROPRIETARY PROPERTY</small> <small>THIS DRAWING CONTAINS INFORMATION THAT IS PROPRIETARY TO WIROS ELECTRONICS INTERNATIONAL COMPANY LIMITED AND SHOULD NOT BE USED WITHOUT WRITTEN CONSENT FROM WIROS.</small>	
	DIMENSIONS ARE IN MILLIMETERS		<small>NOTICE OF PROPRIETARY PROPERTY</small> <small>THIS DRAWING CONTAINS INFORMATION THAT IS PROPRIETARY TO WIROS ELECTRONICS INTERNATIONAL COMPANY LIMITED AND SHOULD NOT BE USED WITHOUT WRITTEN CONSENT FROM WIROS.</small>	
TOLERANCES		<small>NOTICE OF PROPRIETARY PROPERTY</small> <small>THIS DRAWING CONTAINS INFORMATION THAT IS PROPRIETARY TO WIROS ELECTRONICS INTERNATIONAL COMPANY LIMITED AND SHOULD NOT BE USED WITHOUT WRITTEN CONSENT FROM WIROS.</small>		
* ±0.50 ** ±0.38 *** ±0.25 **** ±0.10		<small>NOTICE OF PROPRIETARY PROPERTY</small> <small>THIS DRAWING CONTAINS INFORMATION THAT IS PROPRIETARY TO WIROS ELECTRONICS INTERNATIONAL COMPANY LIMITED AND SHOULD NOT BE USED WITHOUT WRITTEN CONSENT FROM WIROS.</small>		
ANGLES ±3°		<small>NOTICE OF PROPRIETARY PROPERTY</small> <small>THIS DRAWING CONTAINS INFORMATION THAT IS PROPRIETARY TO WIROS ELECTRONICS INTERNATIONAL COMPANY LIMITED AND SHOULD NOT BE USED WITHOUT WRITTEN CONSENT FROM WIROS.</small>		
DO NOT SCALE DRAWINGS		<small>NOTICE OF PROPRIETARY PROPERTY</small> <small>THIS DRAWING CONTAINS INFORMATION THAT IS PROPRIETARY TO WIROS ELECTRONICS INTERNATIONAL COMPANY LIMITED AND SHOULD NOT BE USED WITHOUT WRITTEN CONSENT FROM WIROS.</small>		
THIRD ANGLE PROJECTION		<small>NOTICE OF PROPRIETARY PROPERTY</small> <small>THIS DRAWING CONTAINS INFORMATION THAT IS PROPRIETARY TO WIROS ELECTRONICS INTERNATIONAL COMPANY LIMITED AND SHOULD NOT BE USED WITHOUT WRITTEN CONSENT FROM WIROS.</small>		
SIZE	REV.	SCALE	<small>NOTICE OF PROPRIETARY PROPERTY</small> <small>THIS DRAWING CONTAINS INFORMATION THAT IS PROPRIETARY TO WIROS ELECTRONICS INTERNATIONAL COMPANY LIMITED AND SHOULD NOT BE USED WITHOUT WRITTEN CONSENT FROM WIROS.</small>	
A4	B	NONE	<small>NOTICE OF PROPRIETARY PROPERTY</small> <small>THIS DRAWING CONTAINS INFORMATION THAT IS PROPRIETARY TO WIROS ELECTRONICS INTERNATIONAL COMPANY LIMITED AND SHOULD NOT BE USED WITHOUT WRITTEN CONSENT FROM WIROS.</small>	
		SHEET	<small>NOTICE OF PROPRIETARY PROPERTY</small> <small>THIS DRAWING CONTAINS INFORMATION THAT IS PROPRIETARY TO WIROS ELECTRONICS INTERNATIONAL COMPANY LIMITED AND SHOULD NOT BE USED WITHOUT WRITTEN CONSENT FROM WIROS.</small>	
		3 OF	<small>NOTICE OF PROPRIETARY PROPERTY</small> <small>THIS DRAWING CONTAINS INFORMATION THAT IS PROPRIETARY TO WIROS ELECTRONICS INTERNATIONAL COMPANY LIMITED AND SHOULD NOT BE USED WITHOUT WRITTEN CONSENT FROM WIROS.</small>	
		5	<small>NOTICE OF PROPRIETARY PROPERTY</small> <small>THIS DRAWING CONTAINS INFORMATION THAT IS PROPRIETARY TO WIROS ELECTRONICS INTERNATIONAL COMPANY LIMITED AND SHOULD NOT BE USED WITHOUT WRITTEN CONSENT FROM WIROS.</small>	

LED SPECIFICATION



ORDER GUIDE

PART NUMBER
SPC09-61 **T128PM-F24S** **S**

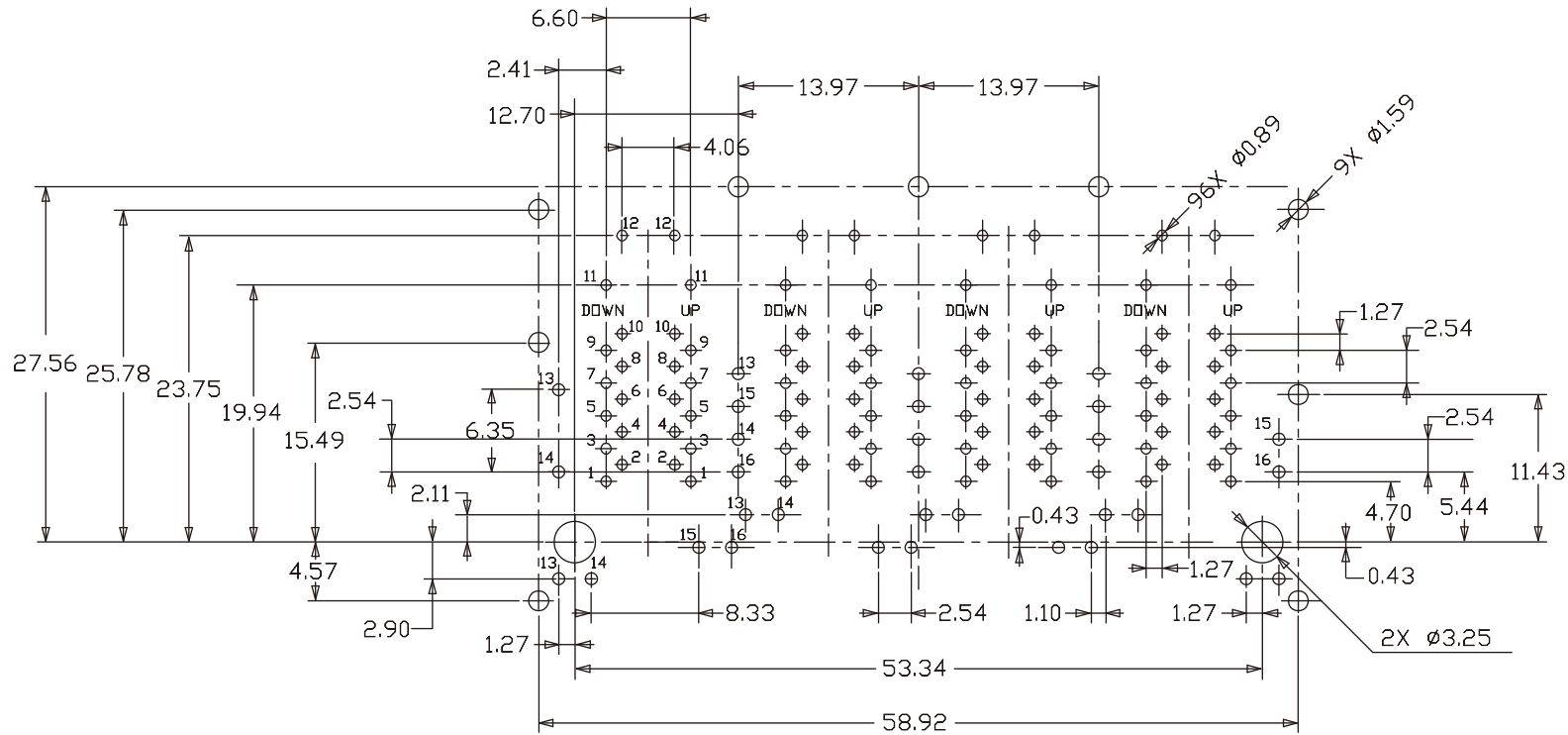
PLATING METHOD	
1	GOLD 3μ ON CONTACT AREA
2	GOLD 6μ ON CONTACT AREA
4	GOLD 15μ ON CONTACT AREA
6	GOLD 30μ ON CONTACT AREA
8	GOLD 50μ ON CONTACT AREA
/	-----

LEFT LED	
0	YELLOW
4	GREEN
6	ORANGE
7	RED
F	YELLOW/GREEN
G	GREEN/YELLOW
H	GREEN/ORANGE
K	<PIPE>YELLOW
N	<PIPE>GREEN

RIGHT LED	
0	YELLOW
4	GREEN
6	ORANGE
7	RED
F	YELLOW/GREEN
G	GREEN/YELLOW
H	GREEN/ORANGE
K	<PIPE>YELLOW
N	<PIPE>GREEN

QUALITY CONTROL LINE DIMENSIONS SHALL MARKED THE SYMBOL AS ▴ RoHS COMPLIANT HfP HfP COMPLIANT LEAD FREE	METRIC	WIROS ELECTRONICS <small>INTERNATIONAL COMPANY LIMITED</small>
	DRAWER LISA, C	<small>NOTICE OF PROPRIETARY PROPERTY</small> THIS DRAWING CONTAINS INFORMATION THAT IS PROPRIETARY TO WIROS ELECTRONICS INTERNATIONAL COMPANY LIMITED AND SHOULD NOT BE USED WITHOUT WRITTEN CONSENT FROM WIROS.
	APPROVER ALEX, W	TITLE LED 1GB 2X4P POE+ MODULAR ETHERNET RECEPTACLE CONNECTOR
	DIMENSIONS ARE IN MILLIMETERS TOLERANCES * ±0.50 ** ±0.38 *** ±0.25 **** ±0.10 ANGLES ±3° DO NOT SCALE DRAWINGS	
SIZE A4	REV. B	PRODUCT NUMBER SPC09-61*T128PM-F24S**S SCALE NONE SHEET 4 OF 5

RECOMMENDED PRINTED CIRCUIT BOARD (PCB) LAYOUT



(COMPONENT SIDE VIEW)
TOLERANCE ±0.05mm MAXIMUM

QUALITY CONTROL: THIS DRAWING WILL BE PRINTED AT THE SCALE INDICATED. <input checked="" type="checkbox"/> RoHS COMPLIANT <input type="checkbox"/> HIF COMPLIANT <input checked="" type="checkbox"/> LEAD-FREE	METRIC		WIROS ELECTRONICS INTERNATIONAL COMPANY LIMITED	
	DRAWER: LISA, C		<small>NOTICE OF PROPRIETARY PROPERTY</small> <small>THIS DRAWING CONTAINS INFORMATION THAT IS PROPRIETARY TO WIROS ELECTRONICS INTERNATIONAL COMPANY LIMITED AND SHOULD NOT BE USED WITHOUT WRITTEN CONSENT FROM WIROS.</small>	
	APPROVER: ALEX, W		TITLE: LED 1GB 2X4P POE+ MODULAR ETHERNET RECEPTACLE CONNECTOR	
	DIMENSIONS ARE IN MILLIMETERS TOLERANCES: * ±0.50 ** ±0.38 *** ±0.25 **** ±0.10 ANGLES ±3° DO NOT SCALE DRAWINGS		PRODUCT NUMBER: SPC09-61X128PM-F24S**S	
SIZE: A4	REV: B	SCALE: NONE	SHEET 5 OF 5	