

* NOTES * (UNLESS OTHERWISE SPECIFIED)

MECHANICAL

- ① HOUSING : THERMOPLASTIC NYLON 6/6, UL94V-0, COLOR BEIGE
- ② CONTACT : BRASS, TIN 80~130μ MIN OVER NICKEL PLATED OVERALL

SPECIFICATION

- ① CURRENT RATING : 4 AMPHERES AC/DC MAX.
- ② VOLTAGE RATING : 250V AC/DC MAX.
- ③ CONTACT RESISTANCE : 10 MILLIOHM MAX.
- ④ INSULATION RESISTANCE : 1000 MEGOHM MIN.
- ⑤ DIELECTRIC STRENGTH : 1000V AC/MINUTE
- ⑥ OPERATING TEMPERATURE : -40°C TO +105°C
- ⑦ WAVE SOLDER PEAK-TEMP. : 250±5°C FOR 3±0.5 SECONDS

*** THIS IS A RoHS-2 RECOGNIZED PRODUCT
 *** MATES WITH PWB24 SERIES HOUSING AND CRIMP TERMINALS

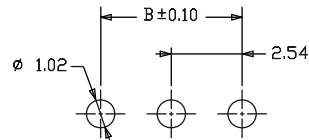
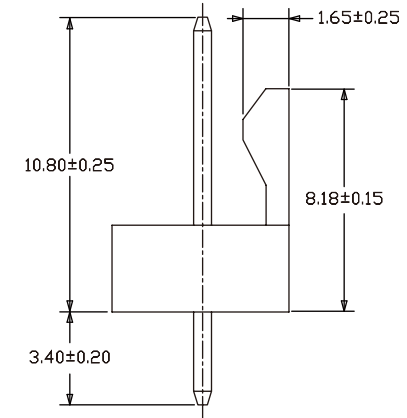
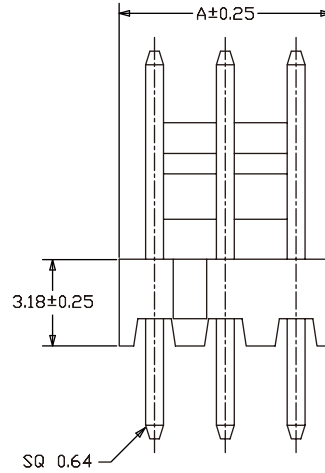
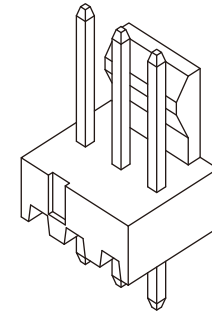
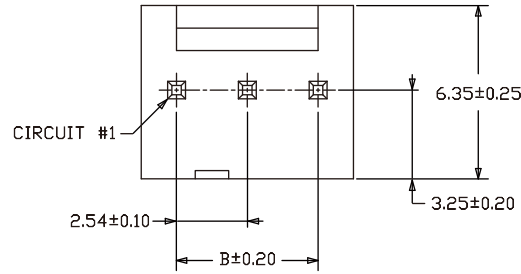
ORDER OPTION(S)

RWB24-52JP0 P6

NUMBER OF CIRCUITS
 FROM 02~20 AVAILABLE

DIMENSION TABLE

PART NUMBER	A	B
RWB24-52JT002P6	5.08	2.54
RWB24-52JT003P6	7.62	5.08
RWB24-52JT004P6	10.16	7.62
RWB24-52JT005P6	12.70	10.16
RWB24-52JT006P6	15.24	12.70
RWB24-52JT007P6	17.78	15.24
RWB24-52JT008P6	20.32	17.78
RWB24-52JT009P6	22.86	20.32
RWB24-52JT010P6	25.40	22.86
RWB24-52JT011P6	27.94	25.40
RWB24-52JT012P6	30.48	27.94
RWB24-52JT013P6	33.02	30.48
RWB24-52JT014P6	35.56	33.02
RWB24-52JT015P6	38.10	35.56
RWB24-52JT016P6	40.64	38.10
RWB24-52JT017P6	43.18	40.64
RWB24-52JT018P6	45.72	43.18
RWB24-52JT019P6	48.26	45.72
RWB24-52JT020P6	50.80	48.26



RECOMMENDED P.C.B. LAYOUT
 (TOP VIEW)
 TOLERANCE ±0.05mm

REV. DATE DESCRIPTION

QUALITY CONTROL DIMENSIONS WILL PRINTED THE SYMBOL IS ▲ <input checked="" type="checkbox"/> RoHS COMPLIANT <input type="checkbox"/> HTP IN COMPLIANCE <input checked="" type="checkbox"/> LEAD FREE	METRIC		WIROS ELECTRONICS <small>INTERNATIONAL COMPANY LIMITED</small>	
	DRAWER SKY, WANG		<small>NOTICE OF PROPRIETARY PROPERTY</small> <small>THIS DRAWING CONTAINS INFORMATION THAT IS PROPRIETARY TO</small> <small>WIROS ELECTRONICS INTERNATIONAL COMPANY LIMITED</small> <small>AND SHOULD NOT BE USED WITHOUT WRITTEN CONSENT FROM WIROS.</small>	
	APPROVER FRANK, PEI		TITLE 2.54 PCB WIRE TO BOARD THT WAFER HEADER	
	<small>DIMENSIONS ARE IN MILLIMETERS</small> <small>TOLERANCES</small> X. ----- X.X ----- X.XX ±0.25 X.XXX ±0.08 ANGLES ±3° <small>DO NOT SCALE DRAWINGS</small>		PRODUCT NUMBER RWB24-52JP0**P6	
SIZE A4	THIRD ANGLE PROJECTION 	SCALE NONE	SHEET 1 OF 1	