

\* NOTES \* (UNLESS OTHERWISE SPECIFIED)

MECHANICAL

- ① HOUSING : THERMOPLASTIC LCP, UL94V-0, COLOR BEIGE
- ② CONTACT : PHOSPHOR BRONZE, TIN PLATED OVER NICKEL
- ③ SOLDER PEG : PHOSPHOR BRONZE, TIN PLATED OVER NICKEL

SPECIFICATION

- ① CURRENT RATING : 2.5 AMPHERES MAX
- ② VOLTAGE RATING : 125V MAX.
- ③ CONTACT RESISTANCE : 20 MILLIOHM MAX.
- ④ INSULATION RESISTANCE : 100 MEGOHM MIN.
- ⑤ DIELECTRIC STRENGTH : 250V AC/MINUTE
- ⑥ OPERATING TEMPERATURE : -40°C TO +105°C
- ⑦ SOLDERABILITY : 260±5°C FOR 3±0.5 SECONDS
- ⑧ APPLICABLE WIRES : AWG.#28~#32

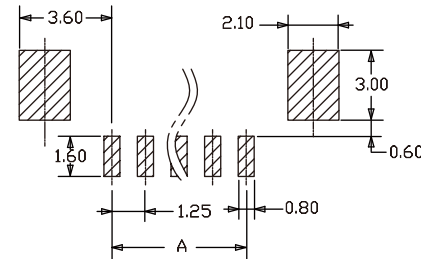
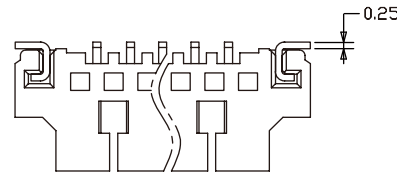
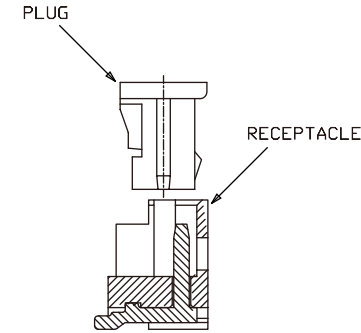
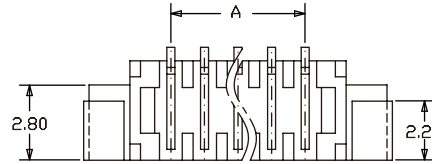
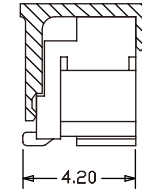
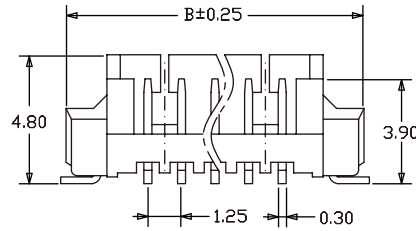
\*\*\* THIS IS A RoHS-2 RECOGNIZED PRODUCT  
 \*\*\* MATES WITH PWB16 SERIES HOUSING AND CRIMP TERMINALS

ORDER OPTION(S)

RWB16-12KR0 \*\* I7

CIRCUIT NUMBER  
 FROM 02 TO 12 PINS AVAILABLE

CIRCUIT	ORDER NUMBER	A	B
2	RWB16-12KR002I7	1.25	7.50
3	RWB16-12KR003I7	2.50	8.75
4	RWB16-12KR004I7	3.75	10.00
5	RWB16-12KR005I7	5.00	11.25
6	RWB16-12KR006I7	6.25	12.50
7	RWB16-12KR007I7	7.50	13.75
8	RWB16-12KR008I7	8.75	15.00
9	RWB16-12KR009I7	10.00	16.25
10	RWB16-12KR010I7	11.25	17.50
11	RWB16-12KR011I7	12.50	18.75
12	RWB16-12KR012I7	13.75	20.00



RECOMMENDED P.C.B. LAYOUT  
 (TOP VIEW)  
 TOLERANCE ±0.05mm

METRIC		WIROS ELECTRONICS INTERNATIONAL COMPANY LIMITED	
DRAWER	VIVIAN, W	NOTICE OF PROPRIETARY PROPERTY THIS DRAWING CONTAINS INFORMATION THAT IS PROPRIETARY TO WIROS ELECTRONICS INTERNATIONAL COMPANY LIMITED AND SHOULD NOT BE USED WITHOUT WRITTEN CONSENT FROM WIROS.	
APPROVER	STAR, H		
DIMENSIONS ARE IN MILLIMETERS TOLERANCES		TITLE	
X. ---- X.X ---- X.XX ±0.10 X.XXX ---- ANGLES ±3°		1.25 WIRE TO BOARD VERTICLE SMD CONNECTOR	
DO NOT SCALE DRAWINGS		PRODUCT NUMBER	
 THIRD ANGLE PROJECTION		RWB16-12KR0**I7	
SIZE	A4	SCALE	NONE
REV.		SHEET	1 OF 1