

\* NOTES \* (UNLESS OTHERWISE SPECIFIED)

MECHANICAL

- ① HOUSING : THERMOPLASTIC LCP, UL94V-0, COLOR BEIGE
- ② CONTACT : PHOSPHOR BRONZE, TIN PLATED OVER NICKEL
- ③ SOLDER PEG : PHOSPHOR BRONZE, TIN PLATED OVER NICKEL

SPECIFICATION

- ① CURRENT RATING : 0.5 AMPHRE AC/DC
- ② VOLTAGE RATING : 30VDC
- ③ CONTACT RESISTANCE : 20 MILLIOHMS MAX.
- ④ INSULATION RESISTANCE : 100 MEGOHMS MIN.
- ⑤ WITHSTAND VOLTAGE : 200V AC/MINUTE
- ⑥ OPERATING TEMPERATURE : -40°C TO +105°C
- ⑦ IR-REFLOW PEAK-TEMP. : 260±5°C FOR 3±0.5 SECONDS
- ⑧ APPLICABLE WIRE : AWG.#28 TO AWG.#32

\*\*\* THIS IS A RoHS-2 RECOGNIZED PRODUCT  
 \*\*\* MATES WITH PWB08 SERIES HOUSING AND TERMINALS

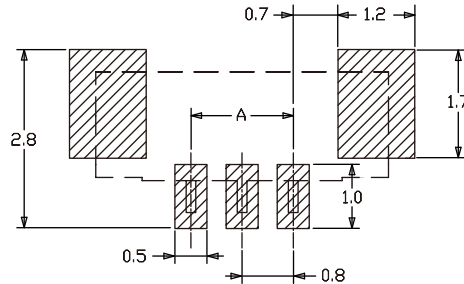
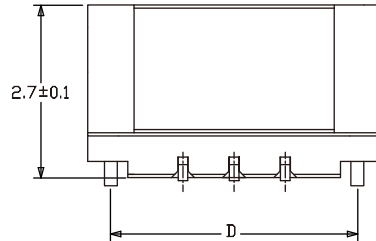
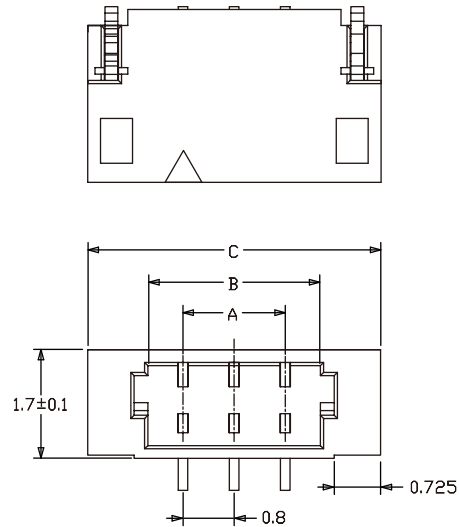
ORDER OPTION(S)

RWB08-12JR0   F7

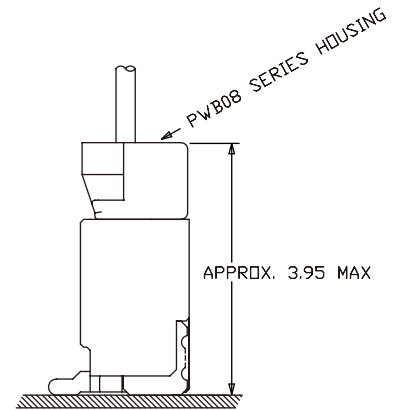
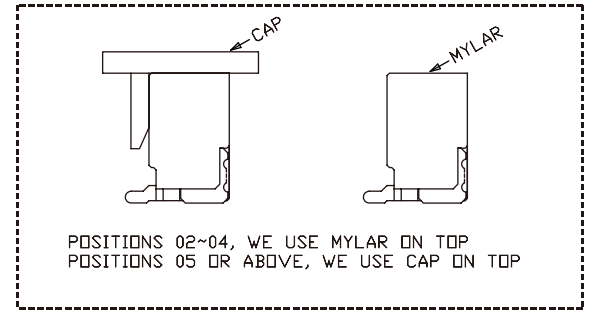
NUMBER OF POSITIONS  
 FROM 02-20 AVAILABLE  
 -----

DIMENSION TABLE

PART NUMBER	A	B	C	D
RWB08-12JR002F7	0.8	1.9	3.78	3.04
RWB08-12JR003F7	1.6	2.7	4.58	3.84
RWB08-12JR004F7	2.4	3.5	5.38	4.64
RWB08-12JR005F7	3.2	4.3	6.18	5.44
RWB08-12JR006F7	4.0	5.1	6.98	6.24
RWB08-12JR007F7	4.8	5.9	7.78	7.04
RWB08-12JR008F7	5.6	6.7	8.58	7.84
RWB08-12JR009F7	6.4	7.5	9.38	8.64
RWB08-12JR010F7	7.2	8.3	10.18	9.44
RWB08-12JR011F7	8.0	9.1	10.98	10.24
RWB08-12JR012F7	8.8	9.9	11.78	11.04
RWB08-12JR013F7	9.6	10.7	12.58	11.84
RWB08-12JR014F7	10.4	11.5	13.38	12.64
RWB08-12JR015F7	11.2	12.3	14.18	13.44
RWB08-12JR016F7	12.0	13.1	14.98	14.24
RWB08-12JR017F7	12.8	13.9	15.78	15.04
RWB08-12JR018F7	13.6	14.7	16.58	15.84
RWB08-12JR019F7	14.4	15.5	17.38	16.64
RWB08-12JR020F7	15.2	16.3	18.18	17.44



RECOMMENDED P.C.B. LAYOUT  
 (TOP VIEW)  
 TOLERANCE ±0.05mm



MATING REFERENCE

METRIC		WIROS ELECTRONICS INTERNATIONAL COMPANY LIMITED	
DRAWER	HENRY, W	NOTICE OF PROPRIETARY PROPERTY	
APPROVER	CR, S	THIS DRAWING CONTAINS INFORMATION THAT IS PROPRIETARY TO WIROS ELECTRONICS INTERNATIONAL COMPANY LIMITED AND SHOULD NOT BE USED WITHOUT WRITTEN CONSENT FROM WIROS.	
DIMENSIONS ARE IN MILLIMETERS TOLERANCES		TITLE	
X.	----	0.80 WIRE TO BOARD TOP ENTRY SMD CONNECTOR	
X.X	±0.25		
X.XX	±0.15		
X.XXX	±0.10		
ANGLES	±3°		
DO NOT SCALE DRAWINGS		PRODUCT NUMBER	
THIRD ANGLE PROJECTION		RWB08-12JR0**F7	
SIZE	REV.	SCALE	SHEET 1 OF 1
A4		NONE	