

Detail A

※NOTES※

MECHANICAL

- 1 HOUSING : THERMOPLASTIC-LCP, UL94V-0
- 2 CONTACT : COPPER ALLOY
- 3 SHIELD : SUS304
- 4 SHELL : SUS304

SPECIFICATION

- 1 CURRENT RATING : 5 AMPERES MAX.
- 2 VOLTAGE RATING : 20V MAX.
- 3 CONTACT RESISTANCE : 40 MILLIOHMS MAX.
- 4 INSULATION RESISTANCE : 100 MEGOHMS MIN.
- 5 MATING FORCE : 5N~20N MAX.
- 6 UNMATING FORCE : 8N~20N MAX.
- 7 DURABILITY : 10,000 CYCLES MIN.
- 8 TEMPERATURE RANGE : -30°C ~ +85°C

ORDER OPTION

RUCS1- \* 1 \* R024CX

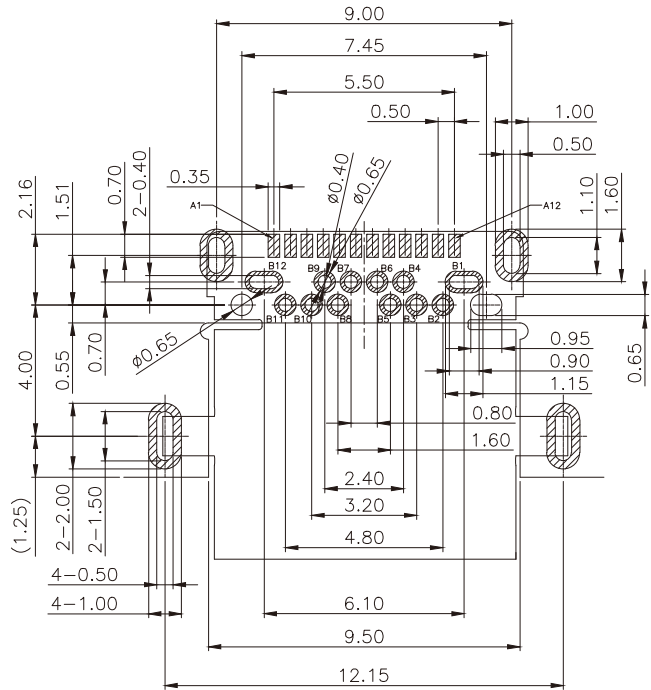
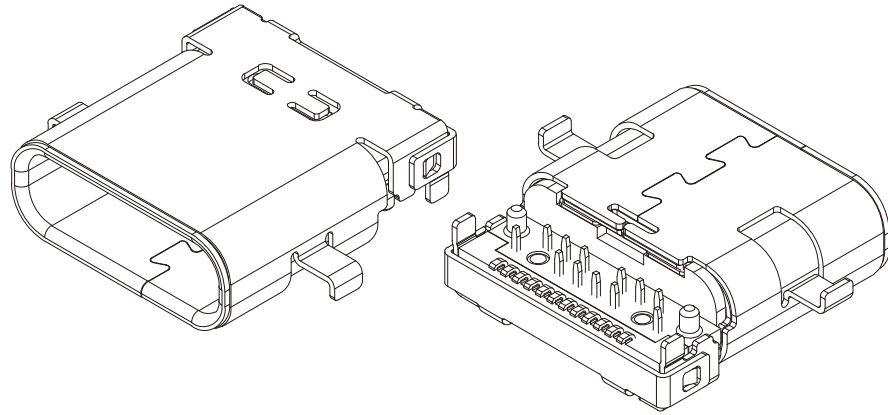
PLATING

- 0~Au 0.2~1μ D.C.A.
- 4~Au 15μ D.C.A.
- 6~Au 30μ D.C.A.
- (DCA=DN CONTACT AREA)

HOUSING COLOR

- 1~BLACK
- 2~BEIGE

<p>QUALITY CONTROL LINE EVIDENCE SHALL MARKED THE SYMBOL AS</p> <p>RoHS COMPLIANT</p> <p>HIP COMPLIANT</p> <p>LEAD FREE</p>	<b>METRIC</b>	WIROS Electronics Int'l CO., Ltd.
	<p>DRAWER <b>ZHUANG</b></p> <p>APPROVER <b>ALEX, WU</b></p>	<p>NOTICE OF PROPRIETARY PROPERTY: THIS DRAWING CONTAINS INFORMATION THAT IS PROPRIETARY TO WIROS ELECTRONICS INTERNATIONAL COMPANY LIMITED. AND SHOULD NOT BE USED WITHOUT WIROS'S WRITTEN CONSENT.</p>
	<p>DIMENSIONS ARE IN MILLIMETERS TOLERANCES</p> <p>X.           ±0.50</p> <p>X.X          ±0.38</p> <p>X.XX        ±0.25</p> <p>X.XXX       ±0.10</p> <p>ANGLES     ±3°</p>	<p>TITLE</p> <p style="text-align: center;"><b>USB 3.1 TYPE C STD-OFF H=2.00mm RECEPTACLE CONNECTOR</b></p>
	<p>DO NOT SCALE DRAWINGS</p> <p style="text-align: center;"> </p> <p>THIRD ANGLE PROJECTION</p>	<p>PRODUCT NUMBER</p> <p style="text-align: center;"><b>RUCS1-*1*R024CX</b></p>
<p>SIZE <b>A4</b></p>	<p>REV.</p>	<p>SCALE 1 : 1</p> <p>SHEET 1 OF 4</p>



RECOMMEND PCB LAYOUT COMPONENT SIDE

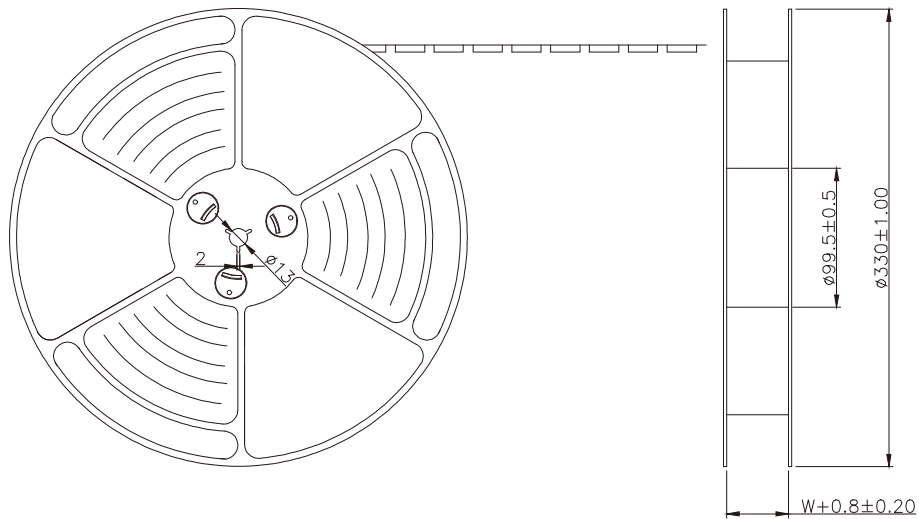
KEEP OUT AREA

### USB TYPE-C FULL-FEATURED RECEPTACLE INTERFACE PIN ASSIGNMENTS

PIN	Signal Name	Description	PIN	Signal Name	Description
A1	GND	Ground return	B12	GND	Ground return
A2	SSTXp1	Positive half of first SuperSpeed TX differential pair	B11	SSRXp1	Positive half of first SuperSpeedRX differential pair
A3	SSTXn1	Negative half of first SuperSpeed TX differential pair	B10	SSRXn1	Negative half of first SuperSpeedRX differential pair
A4	VBUS	Bus Power	B9	VBUS	Bus Power
A5	CC1	Configuration Channel	B8	SBU2	Sideband Use (SBU)
A6	Dp1	Positive half of the USB 2.0 differential pair-Position 1	B7	Dn2	Negative half of the USB 2.0 differential pair-Position 2
A7	Dn1	Negative half of the USB 2.0 differential pair-Position 1	B6	Dp2	Positive half of the USB 2.0 differential pair-Position 2
A8	SBU1	Sideband Use(SBU)	B5	CC2	Configuraation Channel
A9	VBUS	Bus Power	B4	VBUS	Bus Power
A10	SSRXn2	Negative half of second SuperSpeed RX differential pair	B3	SSTXn2	Negative half of second SuperSpeed TX differential pair
A11	SSRXp2	Positive half of second SuperSpeed RX differential pair	B2	SSTXp2	Positive half of second SuperSpeed TX differential pair
A12	GND	Ground return	B1	GND	Ground return

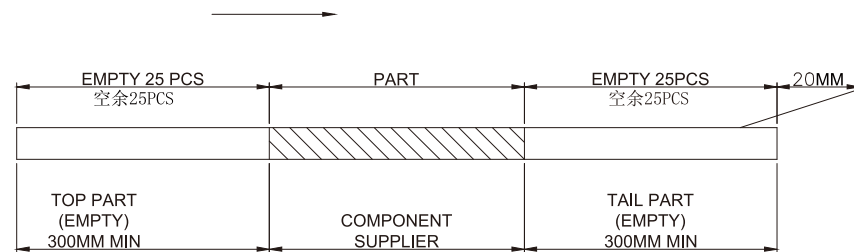
QUALITY CONTROL DIMENSIONS ALL IN MILLIMETERS UNLESS OTHERWISE SPECIFIED THE SYMBOL IS ▲	<b>METRIC</b>		WIROS Electronics Int'l CO., Ltd.	
	DRAWER <b>ZHUANG</b>		NOTICE OF PROPRIETARY PROPERTY: THIS DRAWING CONTAINS INFORMATION THAT IS PROPRIETARY TO WIROS ELECTRONICS INTERNATIONAL COMPANY LIMITED. AND SHOULD NOT BE USED WITHOUT WIROS'S WRITTEN CONSENT.	
	APPROVER <b>ALEX, WU</b>		TITLE	
	DIMENSIONS ARE IN MILLIMETERS TOLERANCES X. ±0.50 X.X ±0.38 X.XX ±0.25 X.XXX ±0.10 ANGLES ±3°		<b>USB 3.1 TYPE C          STD-OFF H=2.00mm          RECEPTACLE CONNECTOR</b>	
DO NOT SCALE DRAWINGS THIRD ANGLE PROJECTION		PRODUCT NUMBER <b>RUCS1-1x1R024CX</b>		
SIZE <b>A4</b>	REV.	SCALE <b>1 : 1</b>	SHEET <b>2</b> OF <b>4</b>	

出料方向  
PULL OUT DIRECTEON



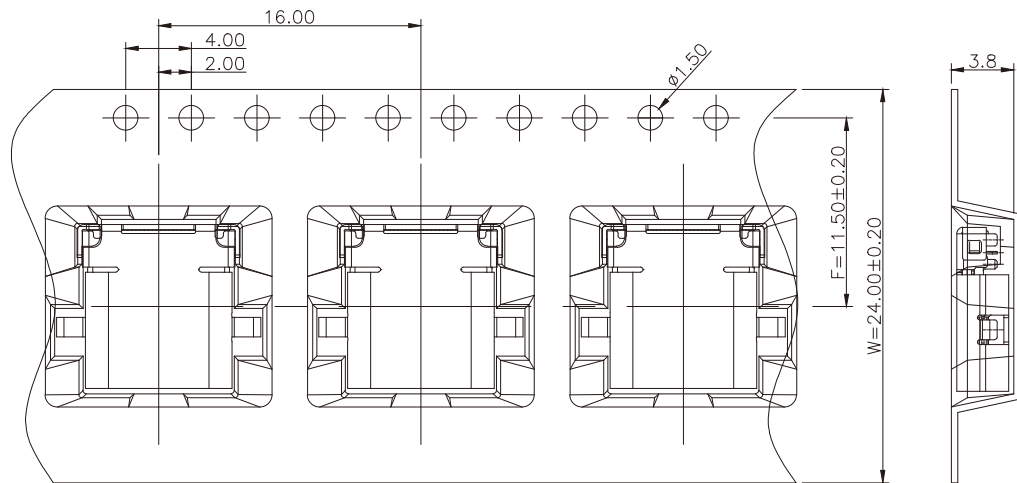
NOTES

1.帶子引導長度  
LEAD TAPE LENGTH  
出料方向  
PULL OUT DIRECTEON



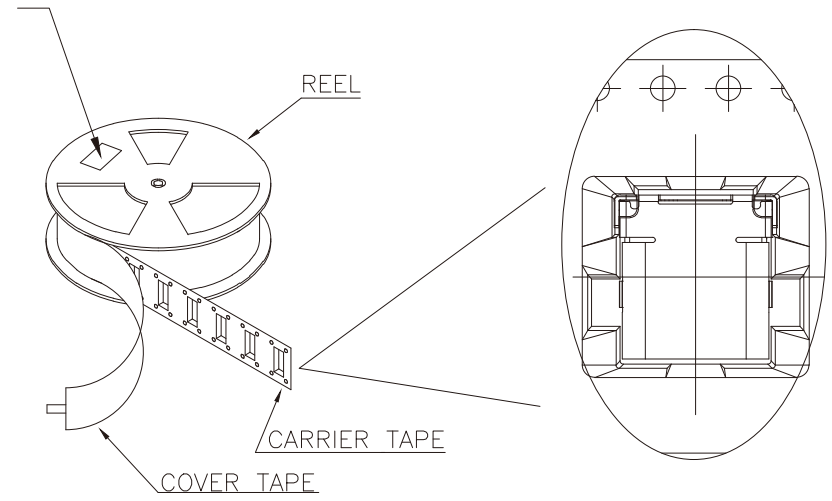
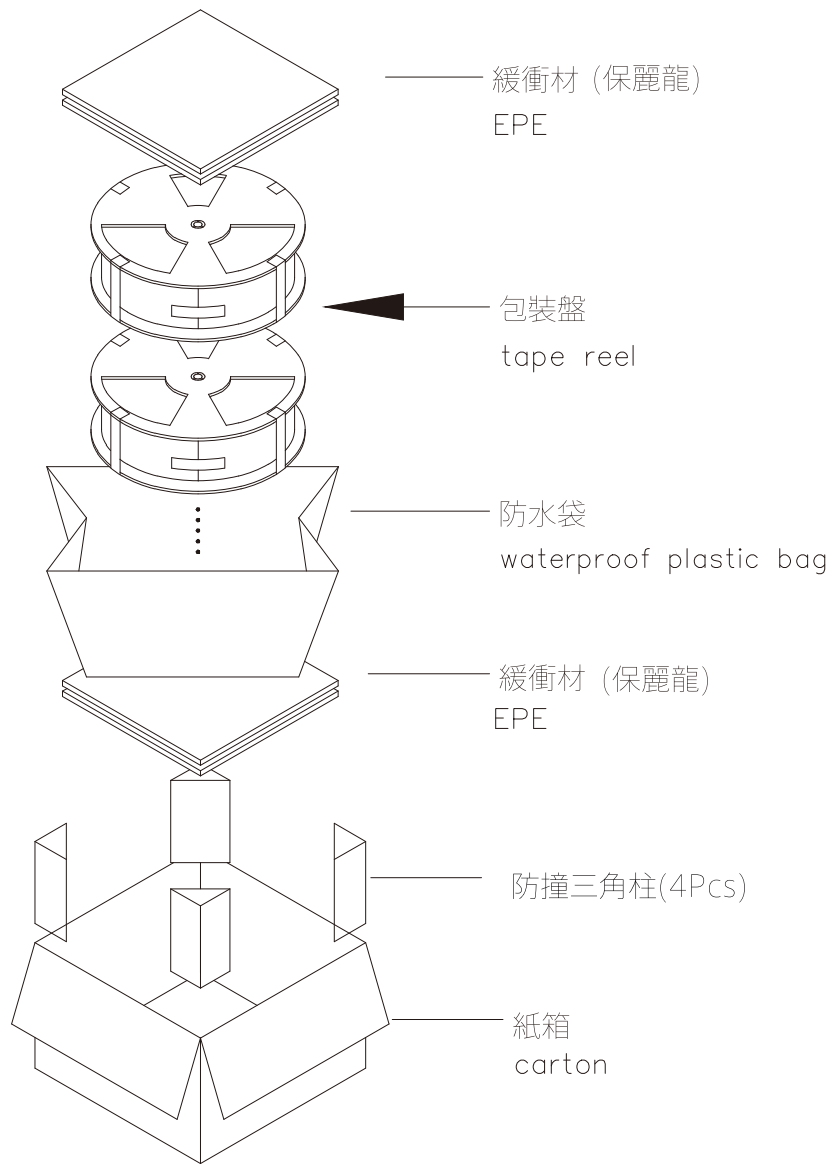
2.出貨 運輸過程中一定注意：  
THIS REQUIREMENT SHOULD BE APPLIED AT SHIPMENT：  
卷帶在運輸過程中不能散開  
PEELING OFF SHOULD NOT BE ALLOWED DURING TRANSPORTATION

出料方向



QUALITY CONTROL LINE DIMENSIONS SHALL MARKED THE SYMBOL AS RoHS COMPLIANT HIF LEAD FREE THIRD ANGLE PROJECTION	<b>METRIC</b>		WIROS Electronics Int'l CO., Ltd.	
	DRAWER <b>ZHUANG</b>		NOTICE OF PROPRIETARY PROPERTY: THIS DRAWING CONTAINS INFORMATION THAT IS PROPRIETARY TO WIROS ELECTRONICS INTERNATIONAL COMPANY LIMITED. AND SHOULD NOT BE USED WITHOUT WIROS'S WRITTEN CONSENT.	
	APPROVER <b>ALEX, WU</b>		TITLE  <b>USB 3.1 TYPE C STD-OFF H=2.00mm RECEPTACLE CONNECTOR</b>	
	DIMENSIONS ARE IN MILLIMETERS TOLERANCES X. ±0.50 X.X ±0.38 X.XX ±0.25 X.XXX ±0.10 ANGLES ±3°		PRODUCT NUMBER <b>RUCS1-×1×R024CX</b>	
DO NOT SCALE DRAWINGS 		SIZE <b>A4</b>	SCALE <b>1 : 1</b>	SHEET <b>3</b> OF <b>4</b>

at small positioning hole of the carrier tape side).  
 標籤黏貼處 (朝捲裝包材的小定位孔一側)  
 Location of label sticking (label)



NOTE:

- 捲包裝數量及箱裝箱數量如 左下表格。  
Packing q'ty of each reel & carton as below table shown.
- 以上膠帶覆蓋下包裝帶經包裝機熱熔包裝  
Use cover tape to cover and hot melt machine to seal up.
- 紙箱放2個珍珠棉  
Every carton use 2pcs EPE.
- 將裝滿事品的卷盤放入紙箱并以膠帶封口  
Put reels in the carton and use adhesive tape to seal up.

PART NUMBER	PACKAGING QUANTITY		
	PCS/REEL	REELS/CARTON	PCS/CARTON
RUCS1-x1xR024CX	1,000	8	8,000

QUALITY CONTROL LINE DIMENSIONS SHALL MARKED THE SYMBOL AS RoHS COMPLIANT HLF LEAD FREE	<b>METRIC</b>		<b>WIROS Electronics Int'l CO., Ltd.</b>	
	DRAWER <b>ZHUANG</b>		NOTICE OF PROPRIETARY PROPERTY: THIS DRAWING CONTAINS INFORMATION THAT IS PROPRIETARY TO WIROS ELECTRONICS INTERNATIONAL COMPANY LIMITED. AND SHOULD NOT BE USED WITHOUT WIROS'S WRITTEN CONSENT.	
	APPROVER <b>ALEX, WU</b>			
	DIMENSIONS ARE IN MILLIMETERS TOLERANCES		TITLE	
X.	±0.50	<b>USB 3.1 TYPE C                  STD-OFF H=2.00mm                  RECEPTACLE CONNECTOR</b>		
X.X	±0.38			
X.XX	±0.25			
X.XXX	±0.10			
ANGLES		±3°		
DO NOT SCALE DRAWINGS		PRODUCT NUMBER <b>RUCS1-x1xR024CX</b>		
THIRD ANGLE PROJECTION		SCALE		
SIZE <b>A4</b>	REV.	1 : 1	SHEET 4 OF 4	