

※NOTES※

MECHANICAL

- ① HOUSING : THERMOPLASTIC-LCP, UL94V-0, BLACK
- ② CONTACT : COPPER ALLOY
- ③ SHIELD : STAINLESS STEEL
- ④ SPRING : STAINLESS STEEL
- ⑤ SHELL : STAINLESS STEEL

SPECIFICATION

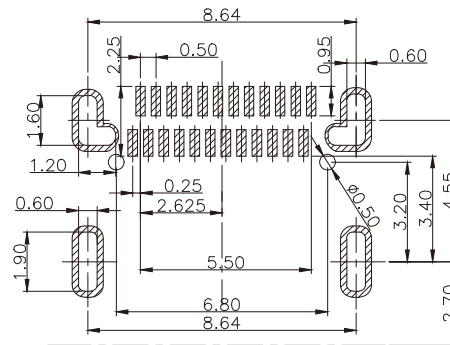
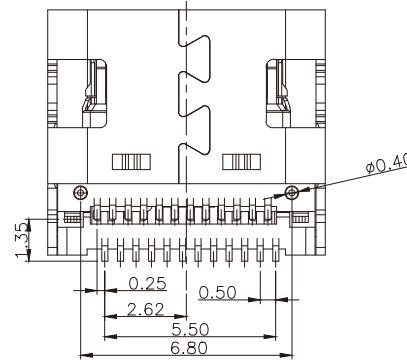
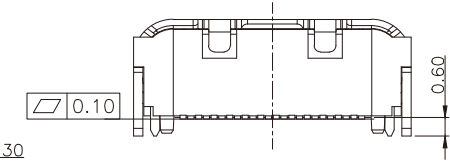
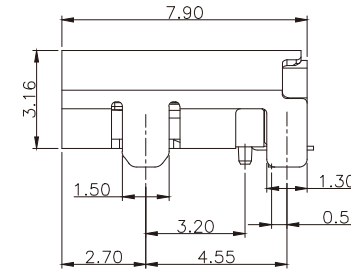
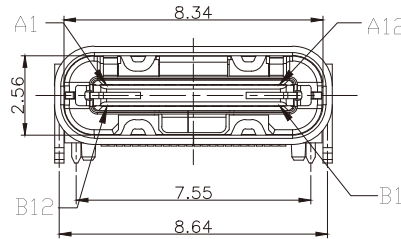
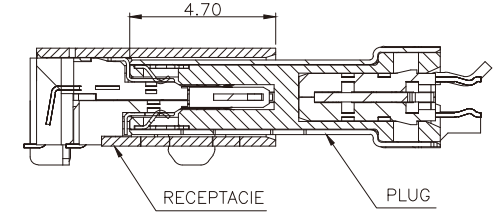
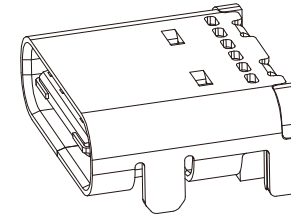
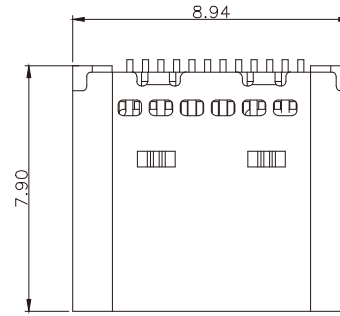
- ① CURRENT RATING : 3 AMPHERES MAX.
- ② VOLTAGE RATING : 100V AC
- ③ CONTACT RESISTANCE : 40 MILLIOHMS MAX.
- ④ INSULATION RESISTANCE : 100 MEGOHMS MIN.
- ⑤ MATING FORCE : 5N~20N MAX.
- ⑥ UNMATING FORCE : 8N~20N MAX.
- ⑦ DURABILITY : 10,000 CYCLES MIN.
- ⑧ TEMPERATURE RANGE : -30°C ~ +85°C

ORDER OPTION

RUCD1-11 × R024C3

PLATING

0~Au 0.2~1μ O.C.A.
 4~Au 15μ O.C.A.
 6~Au 30μ O.C.A.
 (OCA=ON CONTACT AREA)



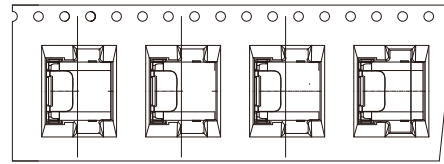
A1	GND	B12	GND
A2	SSTXP1	B11	SSRXP1
A3	SSTXN1	B10	SSRXN1
A4	VBUS	B9	VBUS
A5	CC1	B8	SBU2
A6	DP1	B7	DN2
A7	DN1	B6	DP2
A8	SBU1	B5	CC2
A9	VBUS	B4	VBUS
A10	SSRXN2	B3	SSTXN2
A11	SSRXP2	B2	SSTXP2
A12	GND	B1	GND
PIN	SIGNAL NAME	PIN	SIGNAL NAME

RECOMMENDED P.C.B. LAYOUT
 TOLERANCE UNSPECIFIED ±0.05mm

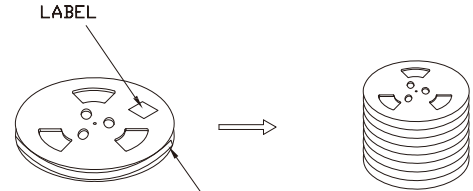
METRIC		WIROS Electronics Int'l CO., Ltd.	
DRAWER	ZHUANG	NOTICE OF PROPRIETARY PROPERTY: THIS DRAWING CONTAINS INFORMATION THAT IS PROPRIETARY TO WIROS ELECTRONICS INTERNATIONAL COMPANY LIMITED. AND SHOULD NOT BE USED WITHOUT WIROS'S WRITTEN CONSENT.	
APPROVER	ALEX, WU	TITLE	
DIMENSIONS ARE IN MILLIMETERS TOLERANCES		USB 3.1 TYPE C SMT, RECEPTACLE CONNECTOR	
X. ±0.50 X.X ±0.38 X.XX ±0.25 X.XXX ±0.10 ANGLES ±3°			
DO NOT SCALE DRAWINGS		PRODUCT NUMBER	
		RUCD1-11×R024C3	
SIZE	A4	SCALE	1 : 1
REV.		SHEET	1 OF 2

PACKING DETAILS

- ① TOTAL 900 PCS/REEL
TOTAL 10 REELS/CARTON
TOTAL 9,000 PCS/CARTON
- ② LEFT 20 EMPTY CARRIER SECTIONS ON EACH REEL PACKING STARTING, AND ENDING.
- ③ MATERIAL DIMENSION
CARRIER(PET) W=24mm, T=0.30mm, L=16.7M
COVER(PET) W=13.3mm, T=0.30mm, L=17.7M
REEL(PS) W=380mm, L=380mm

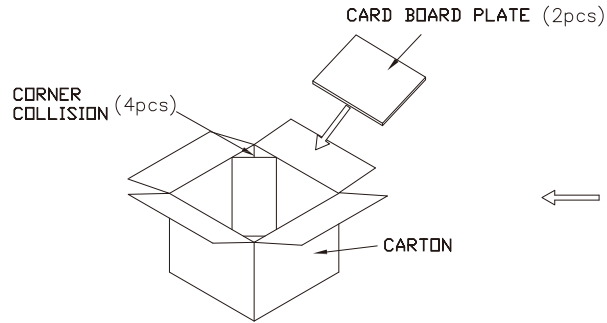


① CARRIER DRAWING

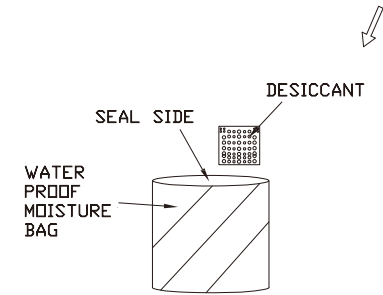


② REEL DRAWING REEL PROTECTION TAPING

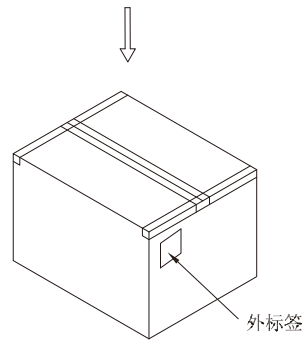
③ 10 REELS IN ORDER



⑤ CARTON PACKING



④ WATER PROOF PACKING PROCEDURE



⑥ 外箱封箱示意图

METRIC		WIROS Electronics Int'l CO., Ltd.	
DRAWER ZHUANG		NOTICE OF PROPRIETARY PROPERTY: THIS DRAWING CONTAINS INFORMATION THAT IS PROPRIETARY TO WIROS ELECTRONICS INTERNATIONAL COMPANY LIMITED. AND SHOULD NOT BE USED WITHOUT WIROS'S WRITTEN CONSENT.	
APPROVER ALEX, WU			
DIMENSIONS ARE IN MILLIMETERS TOLERANCES		TITLE	
X. ±0.50 X.X ±0.38 X.XX ±0.25 X.XXX ±0.10 ANGLES ±3°		USB 3.1 TYPE C SMT, RECEPTACLE CONNECTOR	
DO NOT SCALE DRAWINGS		PRODUCT NUMBER	
THIRD ANGLE PROJECTION		RUCD1-11XR024C3	
SIZE A4	REV.	SCALE 1 : 1	SHEET 2 OF 2