

NOTES : (UNLESS OTHERWISE SPECIFIED)

MATERIAL

- ① HOUSING : THERMOPLASTIC NYLON 6/T, COLOR BLACK, UL94V-0
- ② CONTACTS : COPPER ALLOY, SELECTIVE ELECTRO-PLATING

SPECIFICATION

- ① CURRENT RATING : 1 AMP
- ② INSULATOR RESISTANCE : 500 MEGOHMS MIN.
- ③ DIELECTRIC WITHSTANDING : AC 500V
- ④ CONTACT RESISTANCE : 20 MILLIOHMS MAX.
- ⑤ OPERATING TEMPERATURE : -40°C ~ +105°C
- ⑥ WAVE-SOLDERING PEAK TEMPERATURE THERMOPLASTIC-PA6T : 260±5°C FOR 5-10 SEC(±)

PRODUCT ORDER OPTION

RHD ** -31 * R2X ** J7

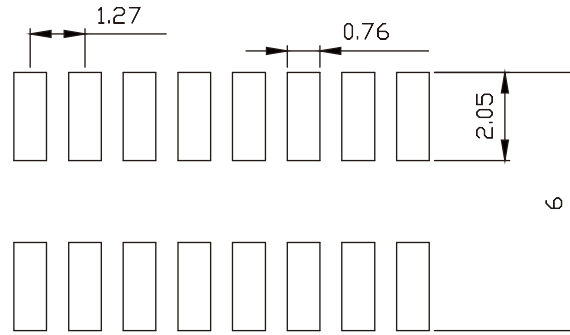
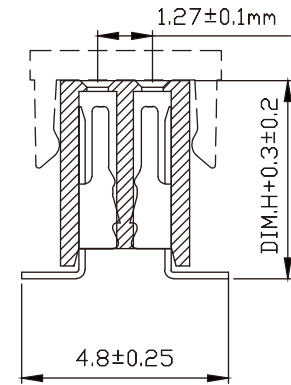
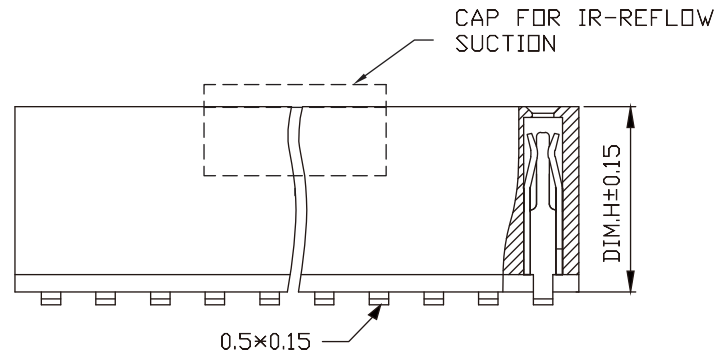
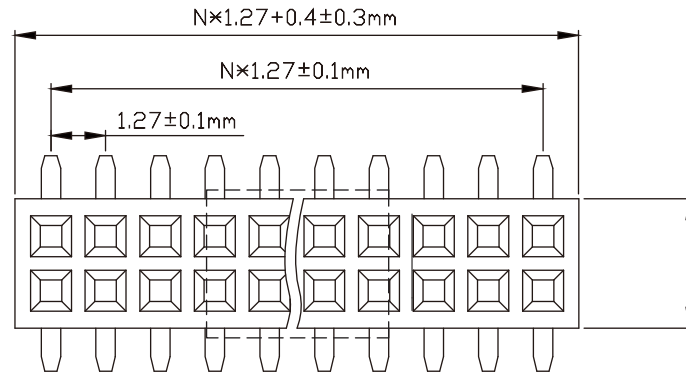
POSITION NO. (02~40 MAX.)

PLATING

- 0~Au 0.2~1μ ON CONTACT AREA
- 1~Au 3μ ON CONTACT AREA
- 4~Au 15μ ON CONTACT AREA
- J~Sn 80~100μ OVERALL

DIMENSION CODE (RANDOM)

- V1-DIM.H (4.6mm) V2-DIM.H (4.8mm)
- V3-DIM.H (5.0mm) V4-DIM.H (5.5mm)
- V5-DIM.H (6.0mm) V6-DIM.H (7.0mm)



RECOMMENDED PCB LAYOUT

RoHS Directive compliant 2002/95/EC LEAD FREE PRODUCT (Pb)	METRIC	Wiros Electronics International Company Limited	
	DRAWER	NOTICE OF PROPRIETARY PROPERTY THE INFORMATION CONTAINED HEREIN IS THE PROPRIETARY PROPERTY OF WIROS ELECTRONICS INTERNATIONAL COMPANY LIMITED.	
	APPROVER	COPYRIGHT 2008. ALL RIGHTS RESERVED. WIROS. THE LOGO IS TRADEMARK OF WIROS ELECTRONICS INT'L CO., LTD.	
	DIMENSIONS ARE IN MILLIMETERS TOLERANCES X.X ±0.35 X.XX ±0.25 X.XXX ±0.15 ANGULAR ±3°	TITLE 1.27 FEMALE HEADER DUAL ROW, SMD CONNECTOR	
THIRD ANGLE PROJECTION	SIZE A4	SHEET NO. 1 OF 1	SCALE N/A
PRODUCT NO. RHD**-31*R2X**J7			