

NOTES : (UNLESS OTHERWISE SPECIFIED)

MATERIAL

- ① HOUSING : HIGH-TEMPERATURE THERMOPLASTIC, UL94V-0, SELECTIVE COLOR
- ② CONTACTS : COPPER ALLOY, SELECTIVE ELECTRO-PLATING

SPECIFICATION

- ① CURRENT RATING : 1 AMP
- ② INSULATOR RESISTANCE : 500 MEGOHMS MIN.
- ③ DIELECTRIC WITHSTANDING : AC 500V
- ④ CONTACT RESISTANCE : 20 MILLIOHMS MAX.
- ⑤ OPERATING TEMPERATURE : -40°C ~ +105°C
- ⑥ WAVE-SOLDERING PEAK TEMPERATURE THERMOPLASTIC-PA6T : 260±5°C FOR 5-10 SEC(≤)

PRODUCT ORDER OPTION

RHD ** -31 * P2X ** J6

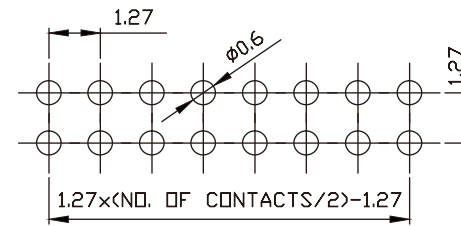
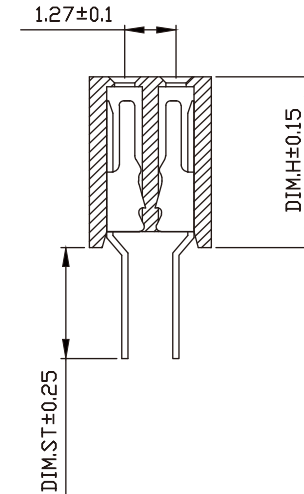
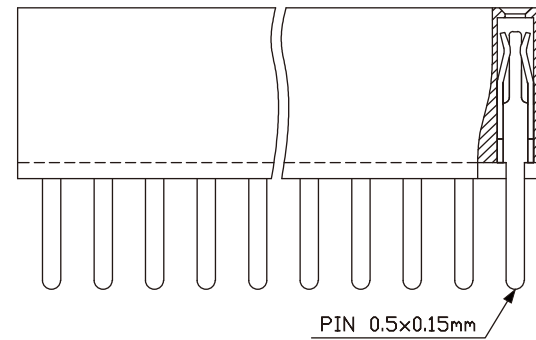
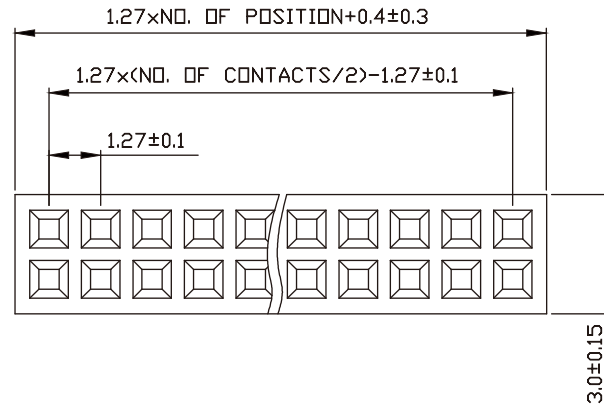
POSITION NO. (02~40 MAX.)

PLATING

- 0~Au 0.2~1μ ON CONTACT AREA
- 1~Au 3μ ON CONTACT AREA
- 4~Au 15μ ON CONTACT AREA
- J~Sn 80~100μ OVERALL

DIMENSION CODE (RANDOM)

- F1~DIM.H=3.4mm, DIM.ST=2.4mm
- F9~DIM.H=4.3mm, DIM.ST=3.2mm
- FJ~DIM.H=4.3mm, DIM.ST=2.4mm



RECOMMENDED P.C.B. LAYOUT TOLERANCE ±0.05mm (TOP VIEW)

LEAD FREE PRODUCT	METRIC	Wiros Electronics International Company Limited NOTICE OF PROPRIETARY PROPERTY THE INFORMATION CONTAINED HEREIN IS THE PROPRIETARY PROPERTY OF WIROS ELECTRONICS INTERNATIONAL COMPANY LIMITED. COPYRIGHT 2008. ALL RIGHTS RESERVED. WIROS, THE LOGO IS TRADEMARK OF WIROS ELECTRONICS INT'L CO., LTD.
	DRAWER	
RoHS Directive compliant 2002/95/EC	APPROVER	TITLE
	DIMENSIONS ARE IN MILLIMETERS TOLERANCES X.X ±0.35 X.XX ±0.25 X.XXX ±0.15 ANGULAR ±3°	1.27 FEMALE HEADER FUAL ROW, SMD CONNECTOR
THIRD ANGLE PROJECTION	SIZE A4	PRODUCT NO. RHD**-31*P2X**J6
	SHEET NO. 1 OF 1	SCALE N/A