

※NOTES※

MECHANICAL

- ① HOUSING : THERMOPLASTIC NYLON 6/T, UL94V-0, BLACK
- ② CONTACT : BRASS WITH GOLD 0.2~1μ PLATED OVERALL

SPECIFICATION

- ① CURRENT RATING : 1 AMPERE
- ② DIELECTRIC WITHSTANDING : AC 500V
- ③ CONTACT RESISTANCE : 20 MILLIOHMS MAX.
- ④ INSULATION RESISTANCE : 5000 MEGAOHMS MIN.
- ⑤ OPERATING TEMPERATURE : -40°C ~ +105°C
- ⑥ PROCESSING TEMPERATURE : 250°C FOR 5 SECONDS

ORDER OPTION

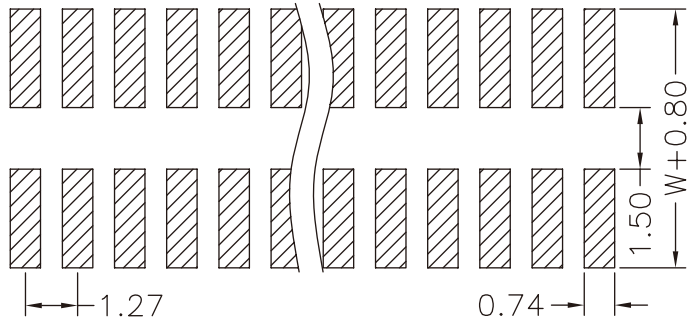
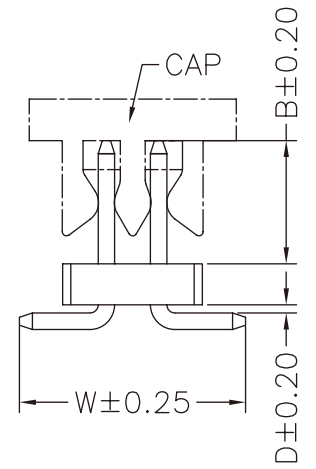
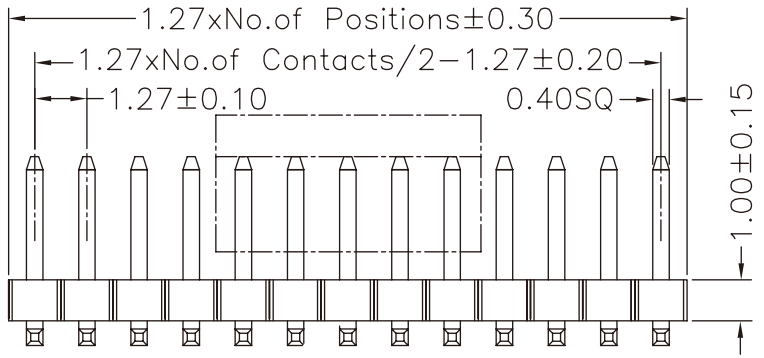
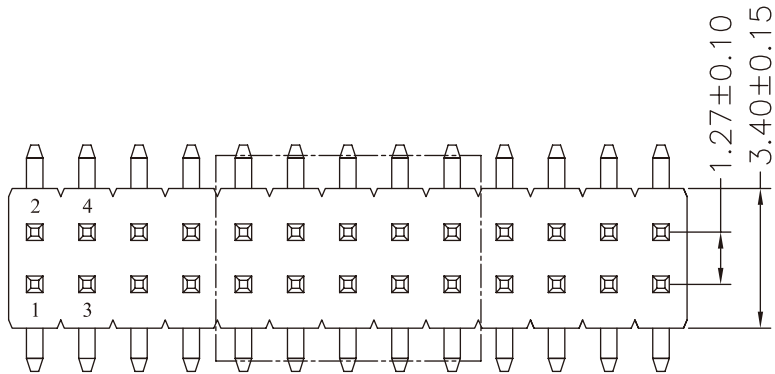
PHD -31A 2X J7

NO. OF POSITIONS
02~40 PINS

PACKAGING
F~VACUUM TUBE WITHOUT CAP
R~REEL WITH CAP

DIMENSIONS

L1: DIM.B=3.00mm, DIM.D=0.60mm, DIM.W=5.50mm
L2: DIM.B=5.80mm, DIM.D=0.60mm, DIM.W=5.50mm
L4: DIM.B=4.00mm, DIM.D=0.10mm, DIM.W=5.50mm



Recommended P.C.B Layout(Top Side)
(PCB BOARD TOLERANCE±0.05)

METRIC		WIROS Electronics Int'l CO., Ltd.	
DRAWER TE, YU		NOTICE OF PROPRIETARY PROPERTY: THIS DRAWING CONTAINS INFORMATION THAT IS PROPRIETARY TO WIROS ELECTRONICS INTERNATIONAL COMPANY LIMITED. AND SHOULD NOT BE USED WITHOUT WIROS'S WRITTEN CONSENT.	
APPROVER S, WANG			
DIMENSIONS ARE IN MILLIMETERS TOLERANCES		TITLE	
X. ±0.30 X.X ±0.35 X.XX ±0.25 X.XXX ±0.15 ANGLES ±2°		1.27mm HEADER PLASTIC H=1.0mm TWO ROW SMT CONNECTOR	
DO NOT SCALE DRAWINGS			
THIRD ANGLE PROJECTION		PRODUCT NUMBER	
		PHD**X-31A*2X**J7	
SIZE A4	REV.	SCALE NONE	SHEET 1 OF 1