

※NOTES※

MECHANICAL DESCRIPTION

- ① HOUSING : THERMOPLASTIC-LCP, UL94V-0, COLOR BEIGE
- ② ACTUATOR : THERMOPLASTIC-PPS, UL94V-0, COLOR BLACK
- ③ TERMINAL : PHOSPHOR BRONZE  
 : CONTACT GOLD 0.1 MICROMETER MIN.  
 : TAIL TIN 1.0 MICROMETER MIN.  
 : NICKEL(UNDER PLATING) 1.0 MICROMETER MIN.
- ④ FITTING NAIL : BRASS, TIN 1.0 MICROMETER MIN.  
 : NICKEL(UNDER PLATING) 1.0 MICROMETER MIN.

ELECTRICAL CHARACTERISTICS

- ① CURRENT RATING : 0.4 AMPHERES AC/DC
- ② VOLTAGE RATING : 50V AC/DC
- ③ WITHSTAND VOLTAGE : 200V AC/MINUTE
- ④ CONTACT RESISTANCE : 20 MILLIOHMS MAX.
- ⑤ INSULATION RESISTANCE : 500 MEGAOHMS MIN.
- ⑥ TEMPERATURE RANGE : -25°C~+85°C
- ⑦ SOLDERABILITY : 260±5°C FOR 3±0.5 SECONDS

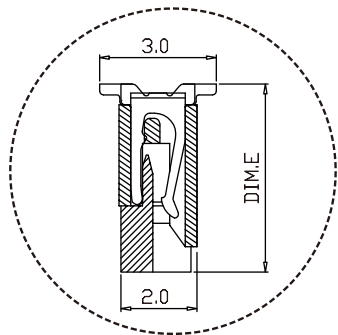
PRODUCT ORDER OPTION

RFCN2-120 × 0 ×× C7

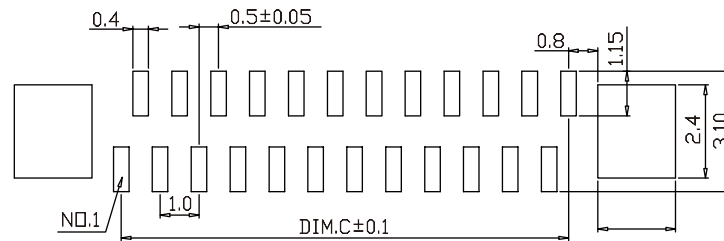
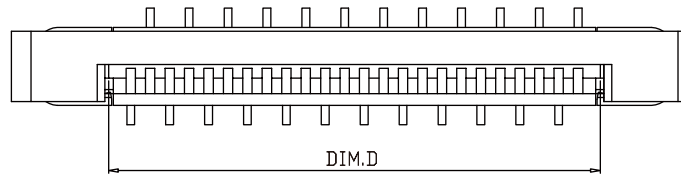
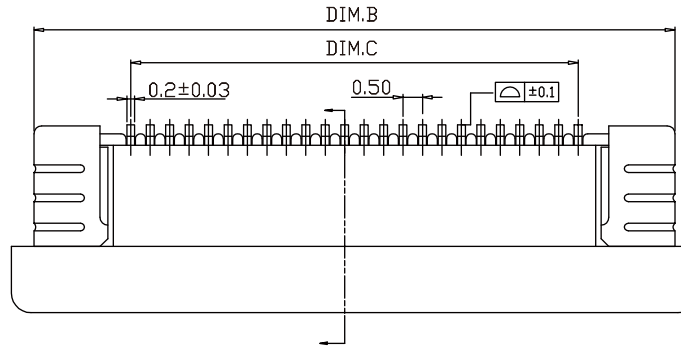
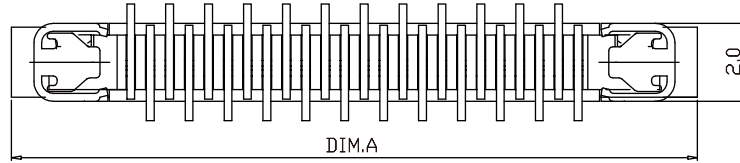
CKT# NO. FROM 04~60 PINS  
 (PLEASE CHECK TABLE 1. FOR EXACT DIMENSIONS.)

PACKING METHODS

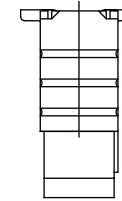
- F~VACUUM TUBE
- R~EMBOSS AND REEL (W/D MYLAR)
- U~EMBOSS AND REEL (WITH MYLAR)



SECTION A-A



RECOMMENDED P.C.B. LAYOUT  
 (POSITIVE-NEEDLE CIRCUIT BOARD)

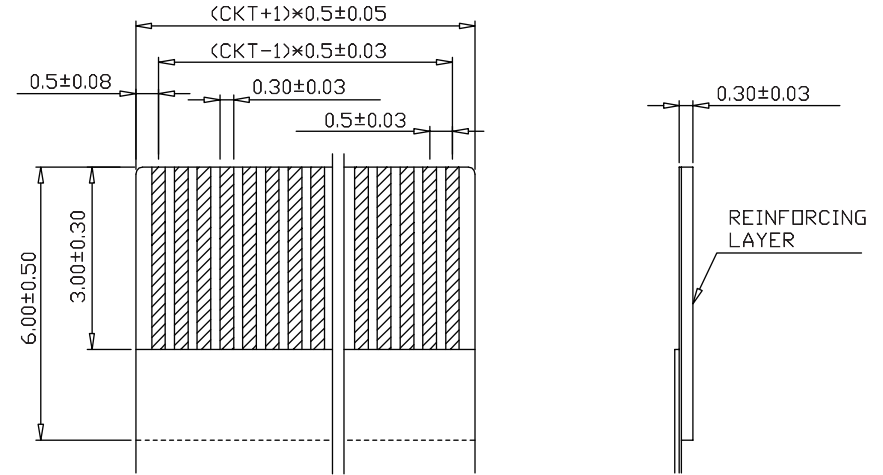


QUALITY CONTROL LINE DIMENSIONS SHALL BE MARKED THE SYMBOL AS	<b>METRIC</b>		<b>Wiros Electronics</b>	
	DRAWER	PING, LI	NOTICE OF PROPRIETARY PROPERTY: THIS DRAWING CONTAINS INFORMATION THAT IS PROPRIETARY TO WIROS ELECTRONICS INTERNATIONAL COMPANY LIMITED. AND SHOULD NOT BE USED WITHOUT WIROS'S WRITTEN CONSENT.	
	APPROVER	SKY, WANG	TITLE	
	DIMENSIONS ARE IN MILLIMETERS TOLERANCES		0.5 FPC/FFC, VERTICLE SMT, CONNECTOR ASSY, ZIF	
RoHS  COMPLIANT HfP  COMPLIANT	DO NOT SCALE DRAWINGS		PRODUCT NUMBER RFCN2-120×0××C7	
THIRD ANGLE PROJECTION	SCALE A4	REV.	SCALE NONE	SHEET 1 OF 2

\* TABLE 1 \*

CKT#	DIM.A	DIM.B	DIM.C	DIM.D	DIM.E
04	7.6	6.5	1.50	2.60	4.4
05	8.1	7.0	2.00	3.10	
06	8.6	7.5	2.50	3.60	
07	9.1	8.0	3.00	4.10	
08	9.6	8.5	3.50	4.60	
09	10.1	9.0	4.00	5.10	
10	10.6	9.5	4.50	5.60	
11	11.1	10.0	5.00	6.10	
12	11.6	10.5	5.50	6.60	
13	12.1	11.0	6.00	7.10	
14	12.6	11.5	6.50	7.60	
15	13.1	12.0	7.00	8.10	
16	13.6	12.5	7.50	8.60	
17	14.1	13.0	8.00	9.10	
18	14.6	13.5	8.50	9.60	
19	15.1	14.0	9.00	10.10	
20	15.6	14.5	9.50	10.60	
21	16.1	15.0	10.00	11.10	
22	16.6	15.5	10.50	11.60	
23	17.1	16.0	11.0	12.10	
24	17.6	16.5	11.50	12.60	
25	18.1	17.0	12.00	13.10	
26	18.6	17.5	12.50	13.60	
27	19.1	18.0	13.00	14.10	
28	19.6	18.5	13.50	14.60	
29	20.1	19.0	14.00	15.10	
30	20.6	19.5	14.50	15.60	
31	21.1	20.0	15.00	16.10	
32	21.6	20.5	15.50	16.60	
33	22.1	21.0	16.00	17.10	
34	22.6	21.5	16.50	17.60	
35	23.1	22.0	17.00	18.10	
36	23.6	22.5	17.50	18.60	
37	24.1	23.0	18.00	19.10	
38	24.6	23.5	18.50	19.60	
39	25.1	24.0	19.00	20.10	
40	25.6	24.5	19.50	20.60	
41	26.1	25.0	20.00	21.10	
42	26.6	25.5	20.50	21.60	
43	27.1	26.0	21.00	22.10	
44	27.6	26.5	21.50	22.60	
45	28.1	27.0	22.00	23.10	
46	28.6	27.5	22.50	23.60	
47	29.1	28.0	23.00	24.10	
48	29.6	28.5	23.50	24.60	
49	30.1	29.0	24.00	25.10	
50	30.6	29.5	24.50	25.60	
51	31.1	30.0	25.00	26.10	
52	31.6	30.5	25.50	26.60	
53	32.1	31.0	26.00	27.10	
54	32.6	31.5	26.50	27.60	
55	33.1	32.0	27.00	28.10	
56	33.6	32.5	27.50	28.60	
57	34.1	33.0	28.00	29.10	
58	34.6	33.5	28.50	29.60	
59	35.1	34.0	29.00	30.10	
60	35.6	34.5	29.50	30.60	

\* RECOMMENDED FPC/FFC DIMENSIONS \*



QUALITY CONTROL DIMENSIONS SHALL PRINTED THE SYMBOL AS *	<b>METRIC</b>		<b>Wiros Electronics</b>	
	DRAWER <b>PING, LI</b>		NOTICE OF PROPRIETARY PROPERTY: THIS DRAWING CONTAINS INFORMATION THAT IS PROPRIETARY TO WIROS ELECTRONICS INTERNATIONAL COMPANY LIMITED. AND SHOULD NOT BE USED WITHOUT WIROS'S WRITTEN CONSENT.	
	APPROVER <b>SKY, WANG</b>		TITLE <b>0.5 FPC/FFC, VERTICLE SMT, CONNECTOR ASSY, ZIF</b>	
	DIMENSIONS ARE IN MILLIMETERS TOLERANCES X. --- X.X ±0.35 X.XX ±0.25 X.XXX ±0.15 ANGLES ±3°		PRODUCT NUMBER <b>RFCN2-120*0**C7</b>	
DO NOT SCALE DRAWINGS THIRD ANGLE PROJECTION	SIZE <b>A4</b>	REV.	SCALE <b>NONE</b>	SHEET <b>2</b> OF <b>2</b>