

NOTES (UNLESS OTHERWISE SPECIFIED)

MECHANICAL

- ① HOUSING : THERMOPLASTIC-LCP, UL94V-0, COLOR BEIGE
- ② SLIDER : THERMOPLASTIC-LCP, UL94V-0
- ③ FITTING NAIL : C5210, TIN PLATED OVER NICKEL OVERALL
- ④ TERMINAL : C5210, GOLD PLATED ON CONTACT AND SOLDER AREAS.

SPECIFICATION

- ① CURRENT RATING : 0.5 AMPHERE
- ② VOLTAGE RATING : 50V AC/DC
- ③ CONTACT RESISTANCE : 20mΩ MAX.
- ④ INSULATION RESISTANCE : 500MΩ MIN. AT 500V DC
- ⑤ WITHSTAND VOLTAGE : 200V AC/MINUTE
- ⑥ OPERATION TEMPERATURE RANGE : -25°C TO +85°C
- ⑦ IR-REFLOW PEAK TEMPERATURE : 260±5°C FOR 3 SECONDS

** THIS IS A ROHS COMPLIANT PRODUCT.

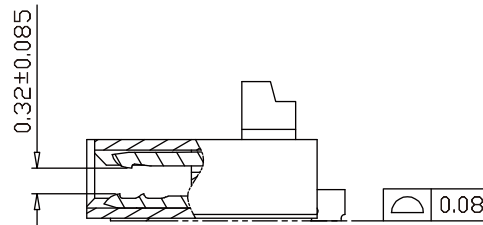
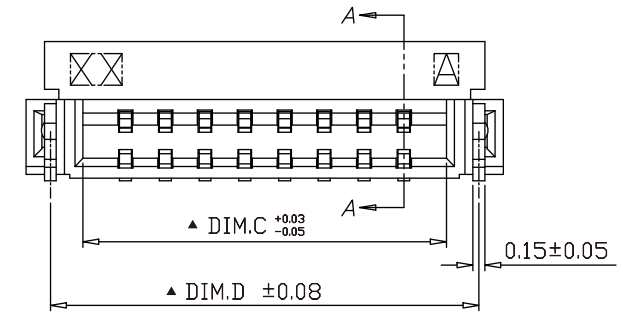
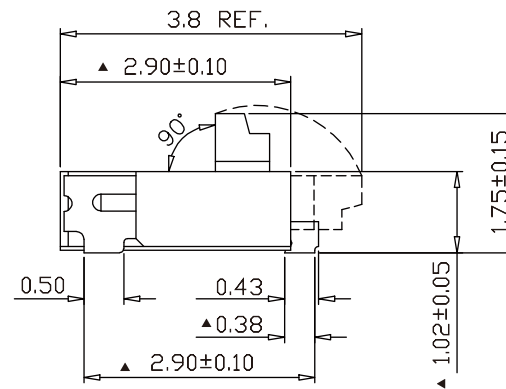
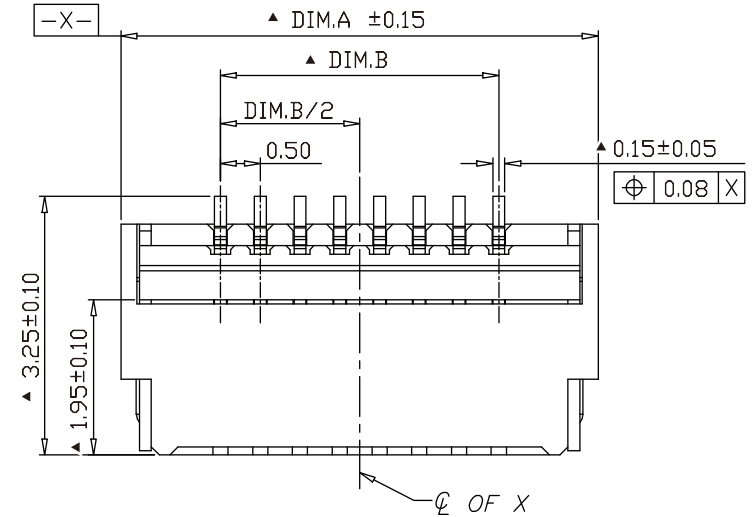
ORDER OPTION

RFCA1-120R ******* C3

CKT NO: AVAILABLE PIN NO. AND DIMENSION DETAILS AS BELOW TABLE.

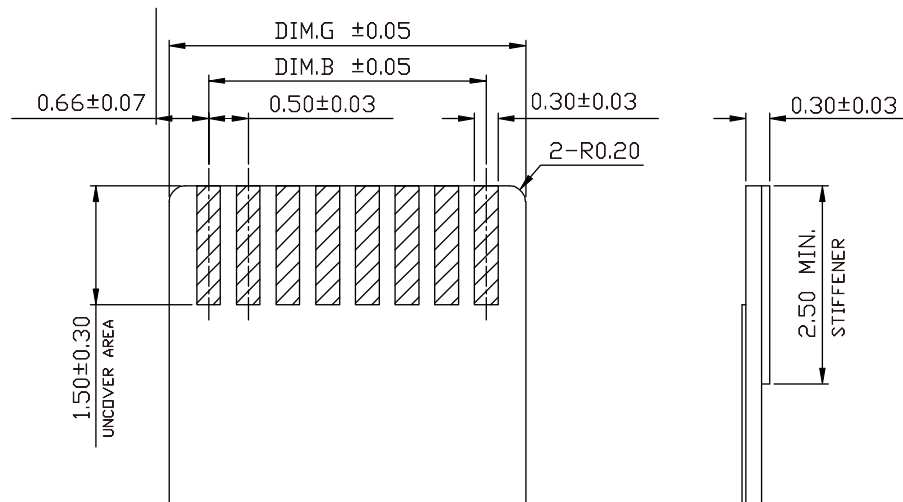
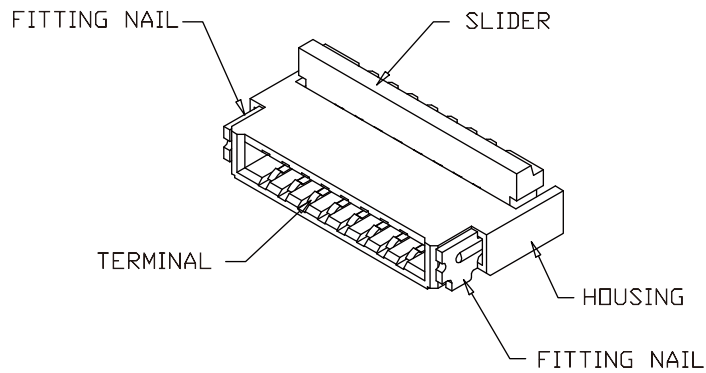
DIMENSION TABLE

CKT NO.	DIM.A	DIM.B	DIM.C	DIM.D	DIM.E	DIM.F	DIM.G
004	4.0	1.50	2.57	3.39	3.10	3.90	2.50
006	5.00	2.50	3.57	4.39	4.10	4.90	3.50
007	5.50	3.00	4.07	5.89	4.60	5.40	4.00
008	6.00	3.50	4.57	5.39	5.10	5.90	4.50
010	7.00	4.50	5.57	6.39	6.10	6.90	5.50
011	7.50	5.00	6.07	6.89	6.60	7.40	6.00
012	8.00	5.50	6.57	7.39	7.10	7.90	6.50
014	9.00	6.50	7.57	8.39	8.10	8.90	7.50
016	10.00	7.50	8.57	9.39	9.10	9.90	8.50
020	12.00	9.50	10.57	11.39	11.10	11.90	10.50
022	13.00	10.50	11.57	12.39	12.10	12.90	11.50
023	13.50	11.00	12.07	12.89	12.60	13.40	12.00
024	14.00	11.50	12.57	13.39	13.10	13.90	12.50
026	15.00	12.50	13.57	14.39	14.10	14.90	13.50
030	17.00	14.50	15.57	16.39	16.10	16.90	15.50
032	18.00	15.50	16.57	17.39	17.10	17.90	16.50
034	19.00	16.50	17.57	18.39	18.10	18.90	17.50
040	22.00	19.50	20.57	21.39	21.10	21.90	20.50
050	27.00	24.50	25.57	26.39	26.10	26.90	25.50
(N)	N±0.5±0.0	(N-1)±0.5	N±0.5±0.05	N±0.5±1.39	N±0.5±1.1	N±0.5±1.9	N±0.5±0.5

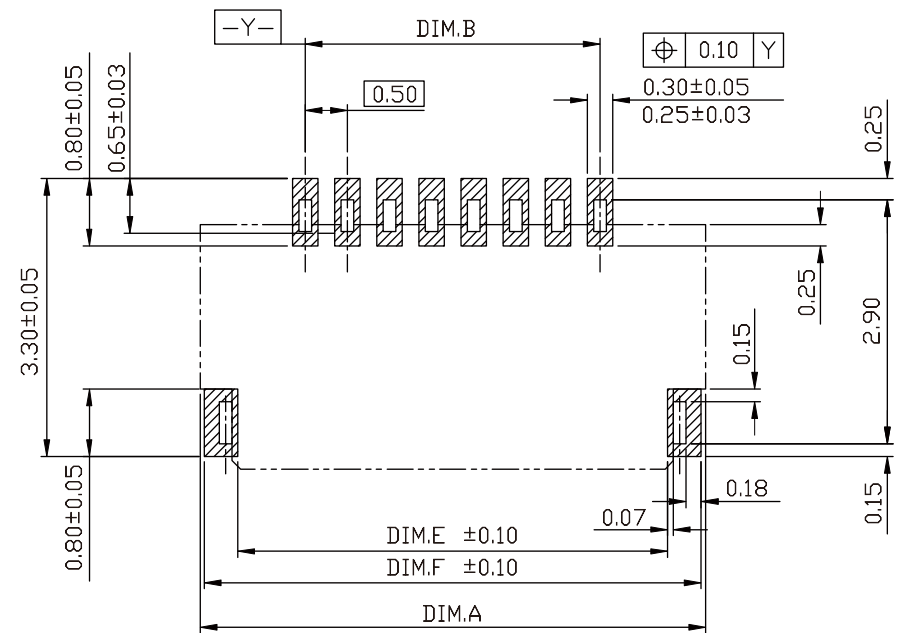


SECTION A-A

QUALITY CONTROL DIMENSIONAL CHECK THE SYMBOL IS ▲	METRIC		WIROS Electronics Int'l CO., Ltd.	
	DRAWER J, PARK		NOTICE OF PROPRIETARY PROPERTY: THIS DRAWING CONTAINS INFORMATION THAT IS PROPRIETARY TO WIROS ELECTRONICS INTERNATIONAL COMPANY LIMITED. AND SHOULD NOT BE USED WITHOUT WIROS'S WRITTEN CONSENT.	
	APPROVER J, HARRIS			
	DIMENSIONS ARE IN MILLIMETERS TOLERANCES		TITLE	
X. ±0.30 X.X ±0.25 X.XX ±0.15 X.XXX ±0.10 ANGLES ±2°	DO NOT SCALE DRAWINGS		PITCH 0.5mm/HEIGHT 1.02mm FPC/FPC UP/PULL LOCK SMT CONNECTOR	
ROHS COMPLIANT HIF COMPLIANT LEAD FREE			PRODUCT NUMBER RFCA1-120R***C3	
SIZE A4	REV.	SCALE NONE	SHEET 1 OF 2	



RECOMMENDED FPC/FFC DIMENSIONS



RECOMMENDED PCB LAYOUT AND METAL MASK DIMENSIONS
RECOMMENDED METAL MASK THICKNESS=0.1mm

QUALITY CONTROL (S) DIMENSIONS SHALL MARKED THE SYMBOL AS RoHS COMPLIANT HLF PCB LEAD FREE	METRIC		WIROS Electronics Int'l CO., Ltd.	
	DRAWER J, PARK		NOTICE OF PROPRIETARY PROPERTY: THIS DRAWING CONTAINS INFORMATION THAT IS PROPRIETARY TO WIROS ELECTRONICS INTERNATIONAL COMPANY LIMITED. AND SHOULD NOT BE USED WITHOUT WIROS'S WRITTEN CONSENT.	
	APPROVER J, HARRIS			
	DIMENSIONS ARE IN MILLIMETERS TOLERANCES		TITLE	
X. ±0.30 X.X ±0.25 X.XX ±0.15 X.XXX ±0.10 ANGLES ±2°		PITCH 0.5mm/HEIGHT 1.02mm FPC/FFC UP/PULL LOCK SMT CONNECTOR		
DO NOT SCALE DRAWINGS		THIRD ANGLE PROJECTION		
SIZE A4	REV.	PRODUCT NUMBER RFCA1-120R**C3	SCALE NONE	SHEET 2 OF 2