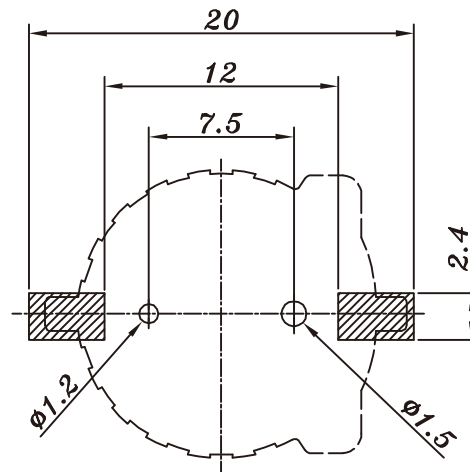
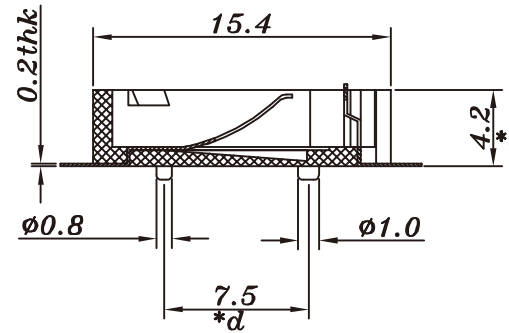
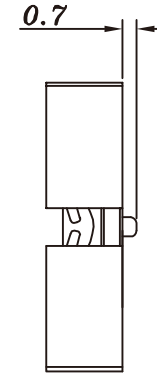
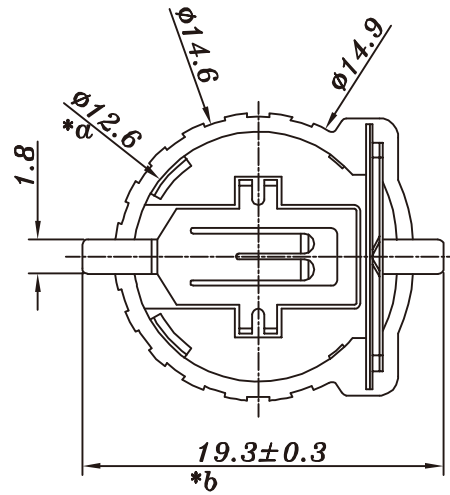


※NOTES※

MECHANICAL

- ① HOUSING : PPS
- ② SPRING : BRASS GOLD 0.2-1μ' PLATED
- ③ CONTACT PIN : BRASS GOLD 0.2-1μ' PLATED



RECOMMENDED PCB LAYOUT

QUALITY CONTROL DIMENSIONS SHALL MARKED THE SYMBOL AS ▲ <input checked="" type="checkbox"/> RoHS COMPLIANT <input type="checkbox"/> HIF <input checked="" type="checkbox"/> THIRD ANGLE <input checked="" type="checkbox"/> LEAD FREE	METRIC		WIROS Electronics Int'l CO., Ltd. NOTICE OF PROPRIETARY PROPERTY: THIS DRAWING CONTAINS INFORMATION THAT IS PROPRIETARY TO WIROS ELECTRONICS INTERNATIONAL COMPANY LIMITED. AND SHOULD NOT BE USED WITHOUT WIROS'S WRITTEN CONSENT.	
	DRAWER TAIL, YU		DIMENSIONS ARE IN MILLIMETERS TOLERANCES 0~5mm ±0.1 5~ ±0.2 ANGLES ±1°	
	APPROVER YH, HSIEH			
	DO NOT SCALE DRAWINGS THIRD ANGLE PROJECTION		TITLE 2P COIN BATTERY SMD CONNECTOR	
SIZE A4	REV.	PRODUCT NUMBER ZBTC1-7B0R00223	SCALE 1 : 1	SHEET 1 OF 1