

* NOTES * (UNLESS OTHERWISE SPECIFIED)

MECHANICAL

- ① HOUSING : THERMOPLASTIC LCP WITH 30% GLASS FILLED
UL94V-0, COLOR BLACK
- ② CONTACT : COPPER ALLOY, T=0.50mm, SELECTIVE GOLD PLATED

SPECIFICATION

- ① CURRENT RATING : 1 AMPHRE MAXIMUM PER PIN
- ② VOLTAGE RATING : 30V MAXIMUM
- ③ CONTACT RESISTANCE : 50 MILLIOHMS MAXIMUM
- ④ INSULATION RESISTANCE : 1000 MEGOHMS MINIMUM
- ⑤ DIELECTRIC WITHSTAND VOLTAGE : 500V
- ⑥ OPERATING TEMPERATURE : -40°C TO +85°C
- ⑦ IR-REFLOW PEAK-TEMPERATURE : 260±5°C FOR 3 SECONDS
- ⑧ DURABILITY : 750 CYCLES MIN.

** THIS IS A RoHS 2011/65/EU COMPLIANT PRODUCT.
** MATES WITH RBTE SERIES BATTERY RECEPTACLE CONNECTOR.

ORDER INFORMATION

PBTE1-11 ☒ R00 ☒ M3

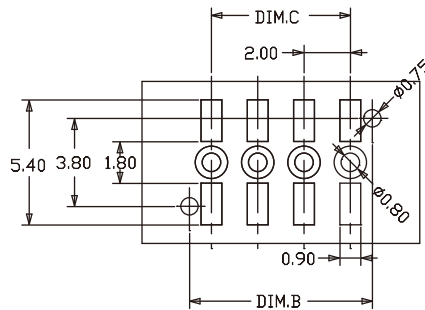
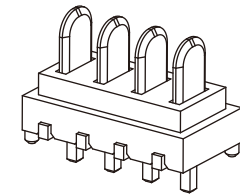
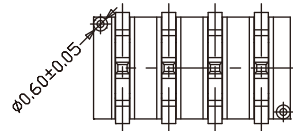
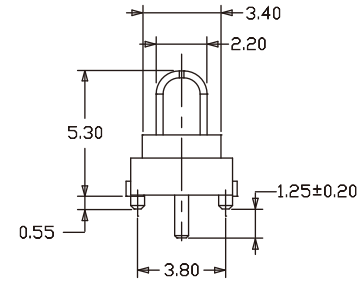
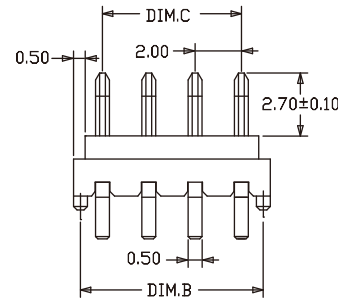
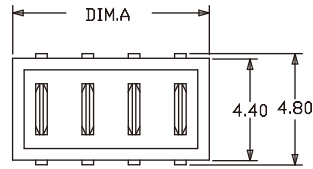
CIRCUIT NUMBER
FROM 3 TO 8 PINS AVAILABLE

PLATING METHOD

- 0~GOLD 0.2~1μ PLATED ON CONTACT AREA
- 1~GOLD 3μ PLATED ON CONTACT AREA
- 2~GOLD 6μ PLATED ON CONTACT AREA
- 4~GOLD 15μ PLATED ON CONTACT AREA
- 6~GOLD 30μ PLATED ON CONTACT AREA
-
- (GOLD 0.2~1μ UNDER-PLATED OVERALL)

DIMENSION TABLE

PART NUMBER	DIM.A	DIM.B	DIM.C
PBTE1-11xR003M3	6.50	5.90	4.00
PBTE1-11xR004M3	8.50	7.90	6.00
PBTE1-11xR005M3	10.50	9.90	8.00
PBTE1-11xR006M3	12.50	11.90	10.00
PBTE1-11xR007M3	14.50	13.90	12.00
PBTE1-11xR008M3	16.50	15.90	14.00



RECOMMENDED P.C.B. LAYOUT
(TOP VIEW)
TOLERANCE ±0.05mm

METRIC		WIROS ELECTRONICS INTERNATIONAL COMPANY LIMITED	
DRAWER	CHRISTINE	NOTICE OF PROPRIETARY PROPERTY THIS DRAWING CONTAINS INFORMATION THAT IS PROPRIETARY TO WIROS ELECTRONICS INTERNATIONAL COMPANY LIMITED AND SHOULD NOT BE USED WITHOUT WRITTEN CONSENT FROM WIROS.	
APPROVER	DJ, M		
DIMENSIONS ARE IN MILLIMETERS TOLERANCES		TITLE	
X.	----	2.00 MINI-BLADE BATTERY PLUG THT CONNECTOR	
X.X	±0.25		
X.XX	±0.15		
X.XXX	±0.05		
ANGLES	±3°		
DO NOT SCALE DRAWINGS		PRODUCT NUMBER	
THIRD ANGLE PROJECTION		PBTE1-11xR00xM3	
SIZE	A4	SCALE	NONE
REV.		SHEET	1 OF 1