

※NOTES※

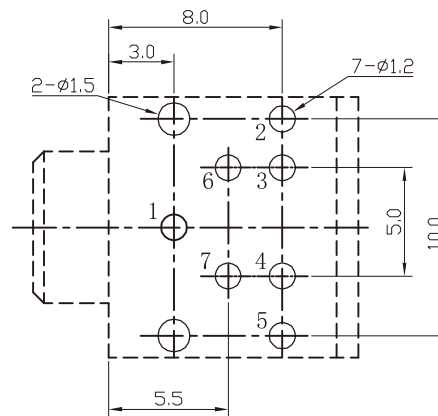
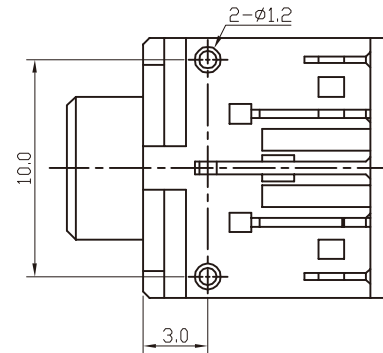
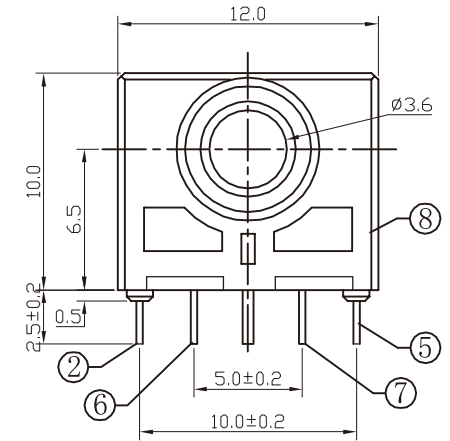
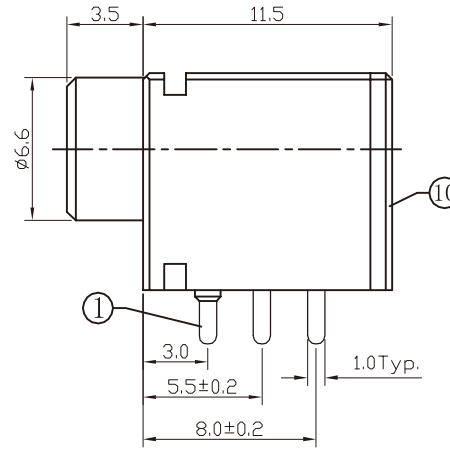
MECHANICAL

- ① CONTACT FOOT : PHOSPHOR BRONZE, GOLD PLATED
- ② SPRING PIECE : PHOSPHOR BRONZE, GOLD PLATED
- ③ FLAT PIECE : BRASS, GOLD PLATED
- ④ FLAT PIECE : BRASS, GOLD PLATED
- ⑤ SPRING PIECE : PHOSPHOR BRONZE, GOLD PLATED
- ⑥ CONTACT FOOT : SUS301, GOLD PLATED
- ⑦ SPRING PIECE : SUS301, GOLD PLATED
- ⑧ HOUSING : THERMOPLASTIC-PBT, UL94V-0
- ⑨ COVER : THERMOPLASTIC-PBT, UL94V-0

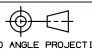
※※ THIS IS A RoHS COMPLIANT PRODUCT.

SCHEMATIC BY PART NUMBERS

RAJK1-610P007S1	RAJK2-610P007S1
RAJK3-610P007S1	RAJK4-610P007S1
RAJK5-610P007S1	RAJK6-610P007S1
RAJK7-610P007S1	RAJK8-610P007S1



RECOMMENDED P.C.B. LAYOUT  
(TOP VIEW)

<small>QUALITY CONTROL</small> <small>RoHS COMPLIANT</small> <small>HIP COMPLIANT</small> <small>LEAD FREE</small>	<b>METRIC</b>	<b>WIROS Electronics Int'l CO., Ltd.</b>	
	<small>DRAWER</small> TAI, YU <small>APPROVER</small> SKY, SU	<small>NOTICE OF PROPRIETARY PROPERTY:</small> THIS DRAWING CONTAINS INFORMATION THAT IS PROPRIETARY TO WIROS ELECTRONICS INTERNATIONAL COMPANY LIMITED. AND SHOULD NOT BE USED WITHOUT WIROS'S WRITTEN CONSENT.	
	<small>DIMENSIONS ARE IN MILLIMETERS</small> <small>TOLERANCES</small> X. ----- X.X ±0.15 X.XX ----- X.XXX ----- ANGLES ±1.5°	<small>TITLE</small> MINIATURE PHONE JACK, RECEPTACLE CONNECTOR	
	<small>DO NOT SCALE DRAWINGS</small>  <small>THIRD ANGLE PROJECTION</small>	<small>PRODUCT NUMBER</small> RAJK*-610P007S1	<small>SCALE</small> 3 : 1
<small>SIZE</small> A4	<small>REV.</small>	<small>SHEET</small> 1 OF 1	